

Allegro® (Before 8/2/04)



Parts Catalog Usage Guide

The information contained in this document is subject to change without notice. This catalog contains service parts for Form No. 99-208. If you have any questions regarding this catalog, please contact one of our Customer Service Representatives.

For Customer Service Support Call:

1-800-333-6900

For Faxed In Orders Call:

1-800-678-4682 or

1-440-366-0709

For Technical Service Call:

1-800-832-4707

Literature Can Be Found at:

www.invacare.com or

1-800-828-6272

SYMBOL DEFINITION

Throughout this catalog you will notice letters to draw your attention to specific footnotes which are located at the bottom of the page or below specified charts.

Examples:

A,B,C etc. = Special Comments

NOTE: = General information pertaining to that specific page

NLA = No Longer Available

HARDWARE MEASUREMENTS

The measurements for the hardware will be listed as follows:

Screws, Bolts Diameter X Thread Count/Pitch X Length

Washers Inside Diameter X Outside Diameter X Thickness

Spacers Inside Diameter X Outside Diameter X Length

For your convenience, we have supplied an area for you to list your Invacare Representatives.

Name	Phone Numbers

©2007 Invacare Corporation. Elyria, Ohio. Invacare, Yes, you can., Allegro, and the Medallion Design are registered trademarks of Invacare Corporation. KIK is a registered trademark of KIK Technology, Inc.

TABLE of CONTENTS

Description	Page Number
Accessories, Miscellaneous	83
Arms - "T" Arm and Hardware	32
Arms - Adjustable Height	28
Arms - Cantilever	30
Axle and Axle Mounting Plates	44
Back Canes	13
Caster Hardware	41
Caster Headtubes and Hardware - After 3/03	37
Caster Headtubes and Hardware - Before 4/03	35
Caster Wheels	40
Crossbraces and Hardware (Folding chairs)	8
Crossbraces and Hardware (Rigid chairs)	11
Fabric Clothing Protectors	57
Footplate and Pivot Tube Assemblies - 1651 Composite	69
Footplate, Adjustable Angle Footplate with Pivot Tube - AT5543	76
Footplate, Pivot Tube and Hardware - 1651 Composite	72
Footplate, Pivot Tube and Hardware - A1562/A1564 Aluminum	74
Forks and Hardware	39
Frame Finishes and Touch Up Paint	4
Frames and Hardware	7
Front Rigging - Articulating Legrests - ATL4A	62

TABLE of CONTENTS

Description	Page Number
Front Rigging - Footrest Support Assemblies	60
Front Rigging - Legrest Calf Pads and Ratchet Assembly	67
Front Rigging - Legrest Support - AT5044	64
Handrim Hardware	49
Handrims	48
Heel Loops and Toe Loops	80
Packaging and Literature	6
Quick Release Caster	43
Rear Upright Tube Mounting Hardware	15
Reclining Back Assembly	24
Rigid Side Guard	58
Stroller Handles	56
Upholstery, Back - Adjustable Tension	21
Upholstery, Back and Seat	17
Wheel Lock - High Mount (Pull to Lock)	52
Wheel Lock - High Mount (Push to Lock)	50
Wheel Lock - High Mount with Hill Holder	54
Wheels, Rear with Handrims - Spoke	47
Wheels, Rear without Handrims - Composite	45
Wheels, Rear without Handrims - Spoke	46

Frame Finishes and Touch Up Paint

Frame Finishes

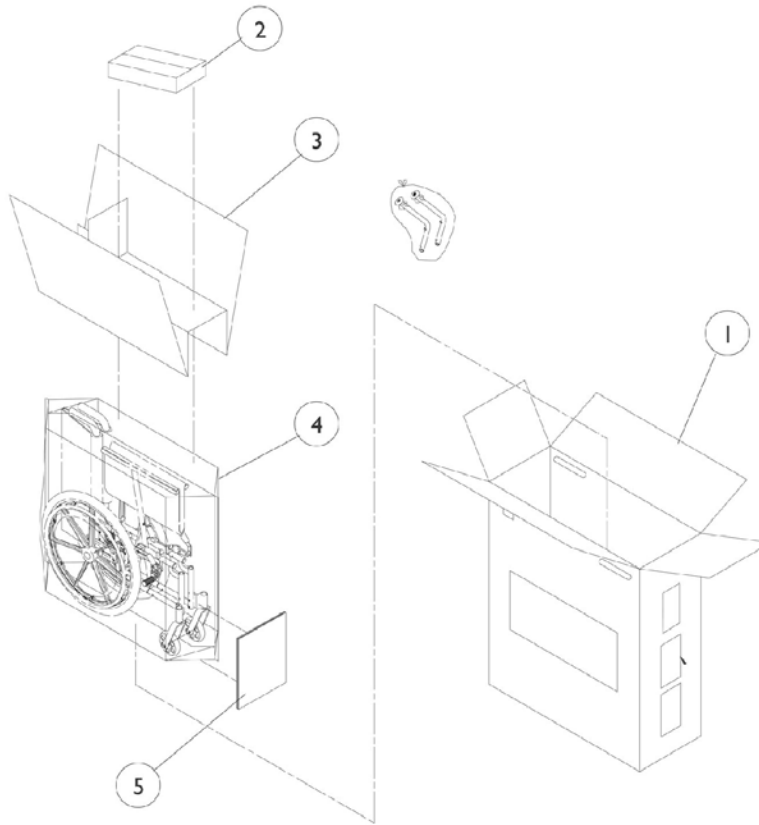
Color Number	Touch Up Paint	Color
22P	1033376	Anthracite
102P	1101327	Denim Blue
62P	1046320	Electric Blue
61P	1046321	Electric Red
104P	1101316	Electric Teal
80P	1073892	Evergreen w/ Navy
101P	1101325	Jeweled Green
84P	1073896	Lavender
105P	1101326	Midnight Blue
103P	1101324	Mocha Frost
66P	1046322	Passion Purple
33P	1031455	Red
83P	1073895	Royal Blue w/ Grape
30P	1031448	Sunny Yellow
24P	1031450	Wet Black
29P	1031447	White

Frame Finishes and Touch Up Paint

Sparkle Frame Finishes

Color Number	Color
72P	Black w/Twilight Sparkle
73P	Black w/Gold Sparkle
74P	Black w/Green Sparkle
75P	Black w/Blue Sparkle
76P	Black w/Red Sparkle
88P	Wet Black w/Twilight Sparkle

Packaging and Literature

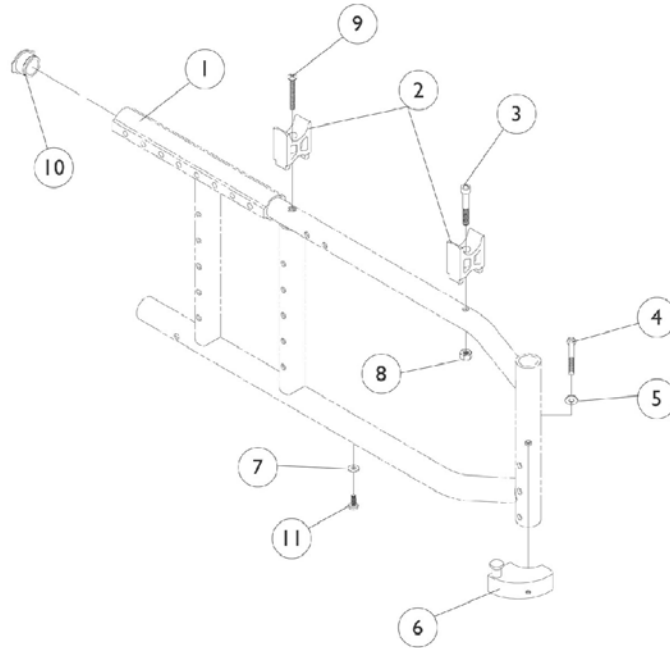


Item Number	Note	Part Number	Description	Quantity Per	
				Package	Assembly
1		40131X038	Carton	1	1
2		40131X011	Carton, Front Riggings	1	2
3		40131X041	Insert, Top	1	1
4		47568X002	Bag, Poly	1	1
5		40131X039	Insert	1	1
	A	1127114	Owner's Manual, Compass XE/Allegro	1	1

NOTE: A - Not Shown

When adjusting or replacing parts, please refer to your Owner's Manual for assistance.

Frames and Hardware



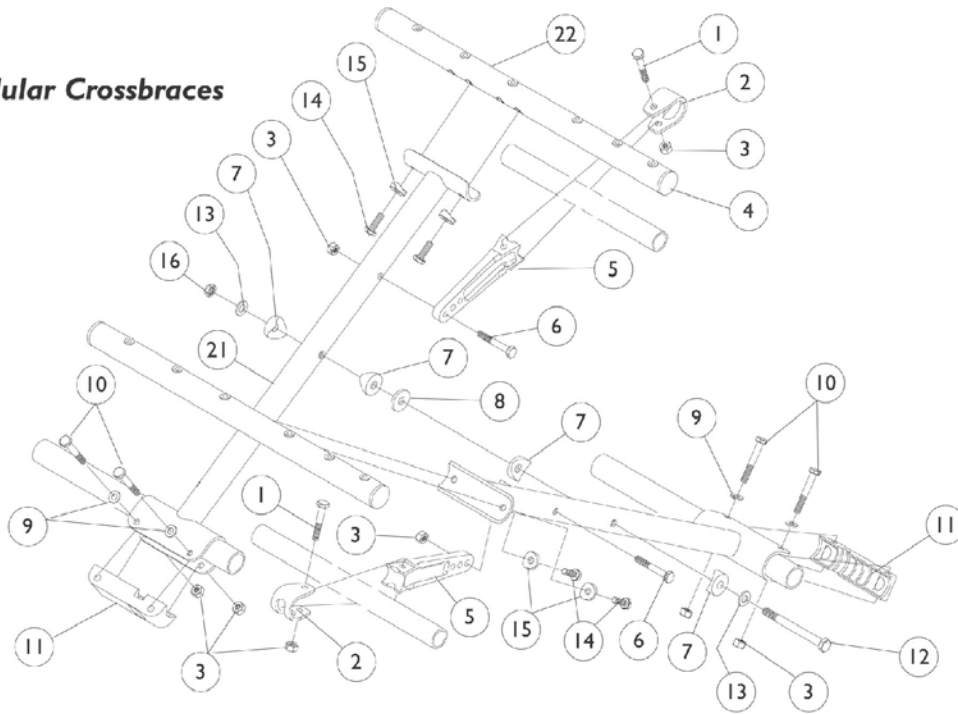
Item Number	Note	Part Number	Description	Quantity Per	
				Package	Assembly
1	A	8881059138	Frame, 14" Deep, Right	1	1
1	A	8881059139	Frame, 14" Deep, Left	1	1
1	A	8881059140	Frame, 16" Deep, Right	1	1
1	A	8881059141	Frame, 16" Deep, Left	1	1
1	A	8881059142	Frame, 18" Deep, Right	1	1
1	A	8881059143	Frame, 18" Deep, Left	1	1
2		1037351	Seat Guide	1	2
3		1059251	Screw, Socket Head (1/4-28 x 1-1/2")	1	2
4		1052957	Screw, Hex Head (1/4-20 x 2")	1	1
5		1026907	Washer (1/4 x 1/2 x 1/16")	1	1
6	B	1054571	Kit, Sector Block - Right	1	1
6	B	1054572	Kit, Sector Block - Left	1	1
7		1059111	Washer, Nylon (#10)	1	1
8		1065362	Locknut (1/4-28)	1	1
9		1025703	Screw, Phillips Head (#10-32 x 1-1/4")	1	1
10		1061056	Plug Button (1")	1	1
11		1028484	Screw, Phillips Pan Head Tap (#10-32 x 1/2")	1	1

NOTE: A - Specify frame color when ordering.
B - Includes Items 4 and 5.

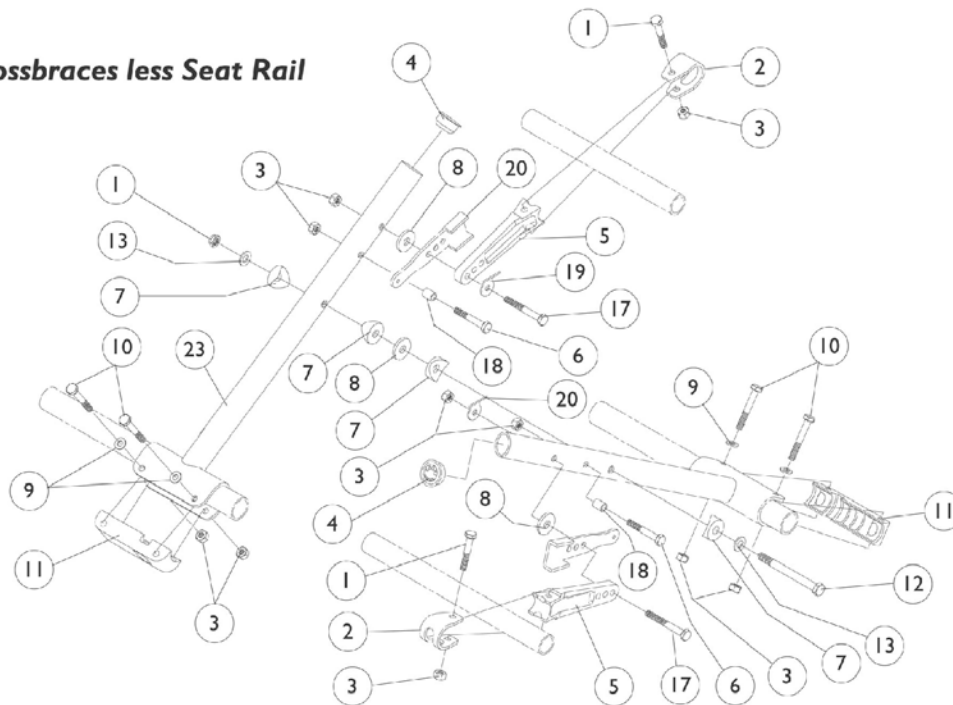
Crossbraces and Hardware

Folding chairs

Modular Crossbraces



Crossbraces less Seat Rail



Crossbraces and Hardware Folding chairs

Item Number	Note	Part Number	Description	Quantity Per	
				Package	Assembly
1		1055347	Screw, Hex Head (1/4-28 x 1-1/2")	1	2
2		1012180	Bracket, Pivot	1	2
3		1065362	Locknut (1/4-28)	1	8
4		1056328	Plug Button (1")	1	4
5	B	1059105	Pivot Link	1	2
5	C	1014666	Pivot Link	1	2
5	D	1014668	Pivot Link	1	2
5	E	1014667	Pivot Link	1	2
6		1055348	Screw, Hex Head Cap (1/4-28 x 1-3/4")	1	2
7		1016263	Spacer, Coved (3/4 x 1 x 1/2")	1	4
8		1016301	Washer, Nylon (5/16 x 7/8 x 1/8")	1	3
9		1026907	Washer (1/4 x 1/2 x 1/16")	1	4
10		1055298	Screw, Hex Head Cap (1/4-28 x 1-5/8")	1	4
11		1012172	Clamp, Saddle	1	2
12		1025705	Screw, Hex Head (5/16-24 x 3-1/4")	1	1
13		1025704	Washer, Flat (5/16 x 5/8 x 1/16")	1	2
14		1045267	Screw, Hex Head (1/4-20 x 3/4")	1	2
15		1026099	Spacer, Coved (1/4 x 11/16 x 1/2")	1	4
16		1025730	Locknut (5/16-24)	1	1
17		1055349	Screw, Hex Head (1/4-28 x 2")	1	2
18		1026162	Spacer (1/4 x 3/8 x 11/32")	1	2
19		1026903	Tie Down Tab	1	2
20	B	1063668	Stop, Pivot Link	1	2
20	C	1063666	Stop, Pivot Link	1	2
20	F	1063667	Stop, Pivot Link	1	2
	A	1029412	Cord Lock	1	1
	A	1141633	Cord, Nylon (6-1/2 Feet)	1	1
21		See Chart	#21 Modular Crossbraces Less Seat Rail	1	1
22		See Chart	#22 Modular Seat Rails	1	1
23		See Chart	#23 Crossbraces Less Seat Rail	1	1
NOTE: A - Not Shown B - 12-13" wide chairs C - 14-16" wide chairs D - 17-19" wide chairs E - 20" wide chairs F - 17-20" wide chairs					

#21 Modular Crossbraces Less Seat Rail

To change width on a chair with modular Crossbraces, order items 5 and 21.

Chair Width	12"	13"	14"	15"	16"	17"	18"
Right/Left	1061039	1061040	1061041	1061042	1061043	1061044	1061045
Chair Width	19"	20"					

Crossbraces and Hardware

Folding chairs

#21 Modular Crossbraces Less Seat Rail

To change width on a chair with modular Crossbraces, order items 5 and 21.

Chair Width	12"	13"	14"	15"	16"	17"	18"
Right/Left	1061037	1061038					

#22 Modular Seat Rails

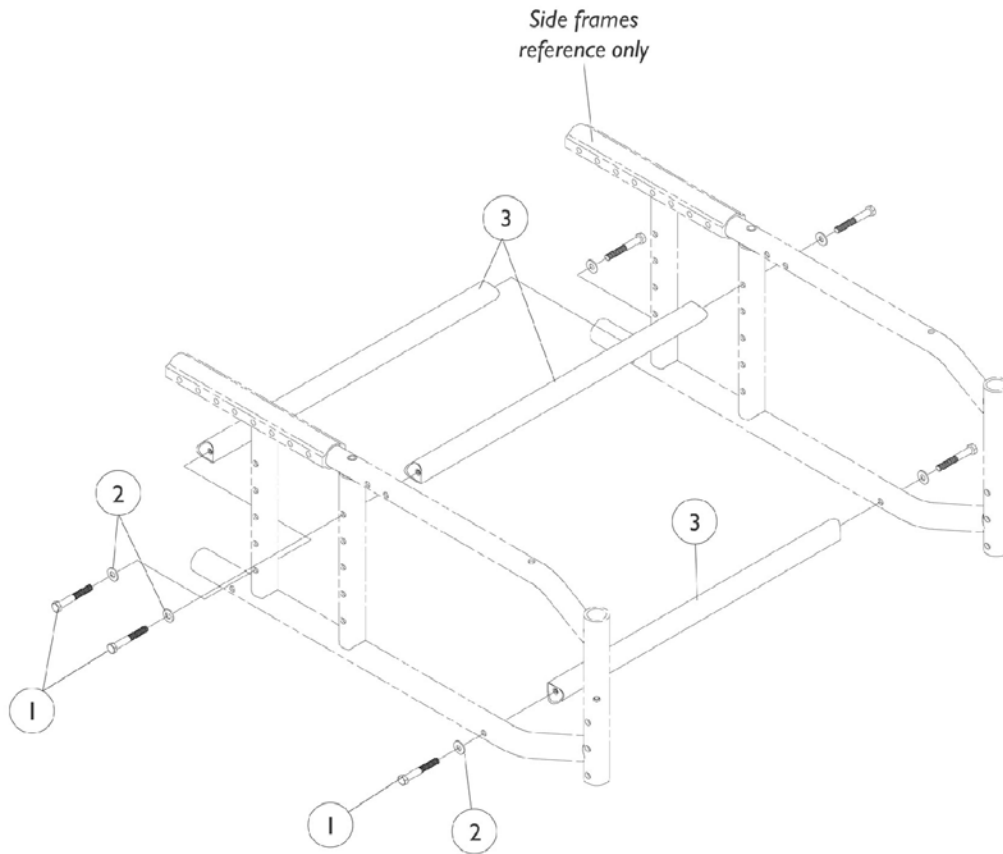
Chair Depth	12"	13"	14"	15"	16"	17"	18"
Right	1061009	1061011	1061013	1061015	1061017	1061019	1061021
Left	1061010	1061012	1061014	1061016	1061018	1061020	1061022

#23 Crossbraces Less Seat Rail

Chair Width	12"	13"	14"	15"	16"	17"	18"
Right/Left	1063200	1063201	1063202	1063203	1063204	1063205	1063206

Crossbraces and Hardware

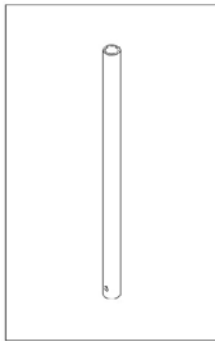
Rigid chairs



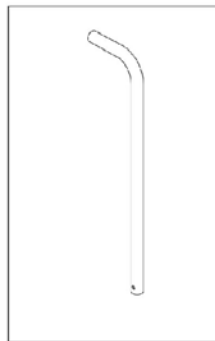
Crossbraces and Hardware Rigid chairs

Item Number	Note	Part Number	Description	Quantity Per	
				Package	Assembly
1		1055348	Screw, Hex Head Cap (1/4-28 x 1-3/4")	1	6
2		1026907	Washer (1/4 x 1/2 x 1/16")	1	6
3	A	1058331	Crossbrace -12" Wide	1	3
3	B	1058332	Crossbrace -13" Wide	1	3
3	C	1058333	Crossbrace -14" Wide	1	3
3	D	1058334	Crossbrace -15" Wide	1	3
3	E	1058335	Crossbrace -16" Wide	1	3
NOTE: A - 12" Wide B - 13" Wide C - 14" Wide D - 15" Wide E - 16" Wide					

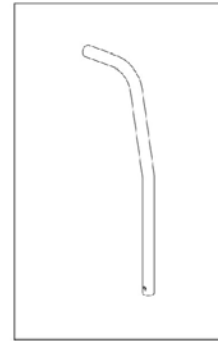
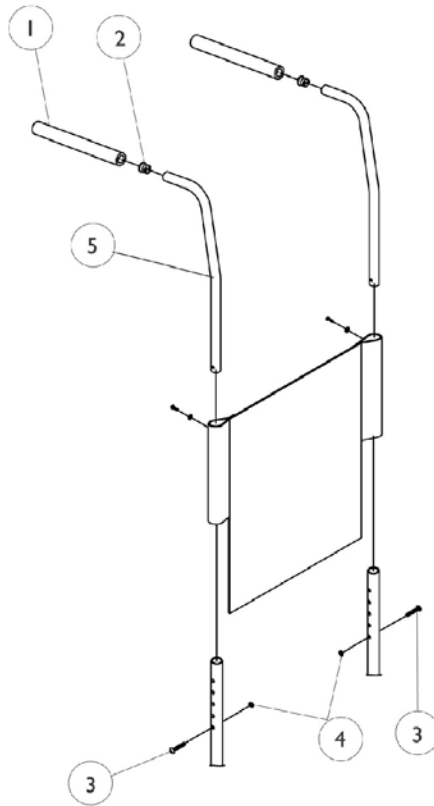
Back Canes



Sportster Cane



*Straight Cane
w/ Push Handle*



*10° Bend Cane w/
Push Handle*

Back Canes

Item Number	Note	Part Number	Description	Quantity Per	
				Package	Assembly
1		1032246	Grip, Cane	1	1
2		1027097	Plug Button, Black (3/4")	1	1
3		1008432	Screw, Button Head Socket (1/4-20 x 1-1/4")	1	1
4		1025195	Locknut (1/4-20)	1	1
5		See Chart	#5 Adjustable Height Back Cane with Grip	1	1
5		See Chart	#5 Fixed Height Back Canes without Grip	1	1

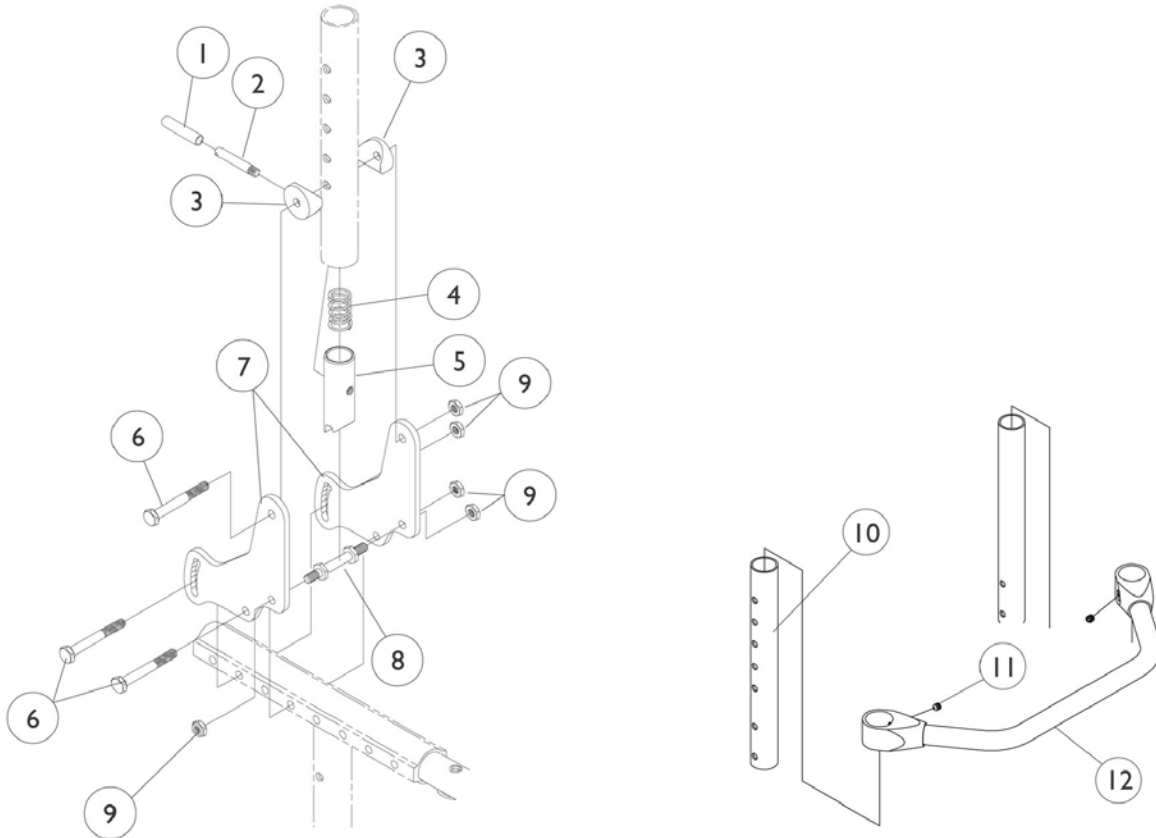
#5 Adjustable Height Back Cane with Grip

Part Number	Description
1028785	Sportster Cane (10-14" Back Height)
1027850	Straight Cane w/ Push Handle (12-16" Back Height)
1044031	Straight Cane w/ Push Handle (14-18" Back Height)
1088495	10 Degree Bend Cane w/ Push Handle (14-18")

#5 Fixed Height Back Canes without Grip

Part Number	Description
1059263	Straight Cane (16" Back Height)
1059264	Straight Cane (17" Back Height)
1059265	Straight Cane (18" Back Height)
1059266	Straight Cane (19" Back Height)
1059249	Straight Cane (20" Back Height)

Rear Upright Tube Mounting Hardware



Rear Upright Tube Mounting Hardware

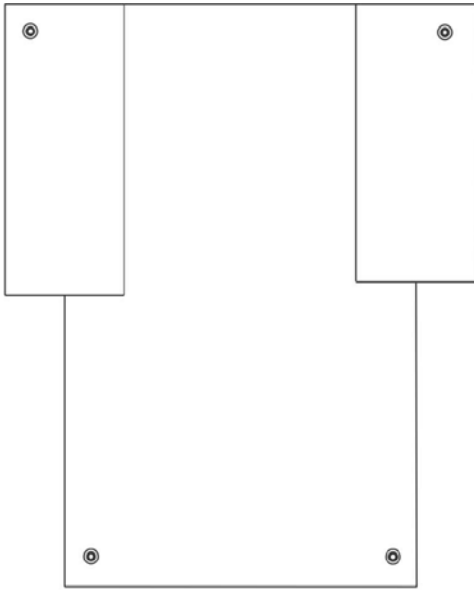
Item Number	Note	Part Number	Description	Quantity Per	
				Package	Assembly
1		1059271	Tip, Protective (Black)	1	1
2		1058545	Lever, Actuator	1	1
3		40157X020	Spacer, Coved (1/4 x 1 x 9/16")	1	2
4		1011511	Spring, Compression (1")	1	1
5		1058232	Plug, Latch	1	1
6	A	1055350	Screw, Hex Head (1/4-28 x 2-1/4")	1	1
6	B	1055349	Screw, Hex Head (1/4-28 x 2")	1	1
7		1059109	Mounting Plate, Backrest	1	2
8		1059127	Pin, Locking	1	1
9		1025765	Locknut (1/4-28)	1	5
10		1058832	Tube, Backrest	1	1
11		1045495	Screw, Socket Head (1/4-20 x 1/4")	1	2
12		See Chart	#12 Backrest Crossmember	1	1

NOTE: A - With Transport Option
B - Without Transport Option

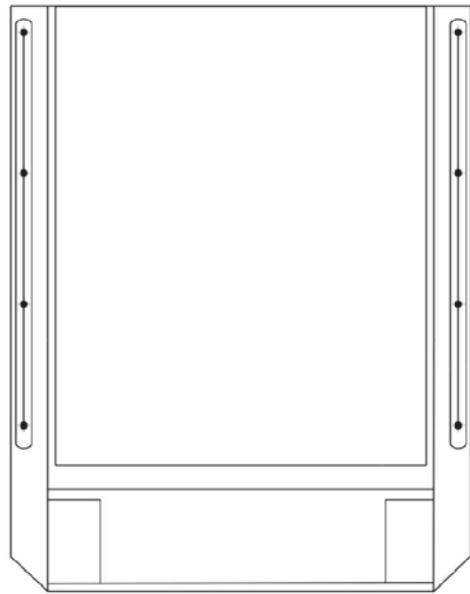
#12 Backrest Crossmember

12" Wide	13" Wide	14" Wide	15" Wide	16" Wide
1042508	1042509	1042510	1042511	1042512
17" Wide	18" Wide	19" Wide	20" Wide	
1050083	1050080	1050077	1050074	

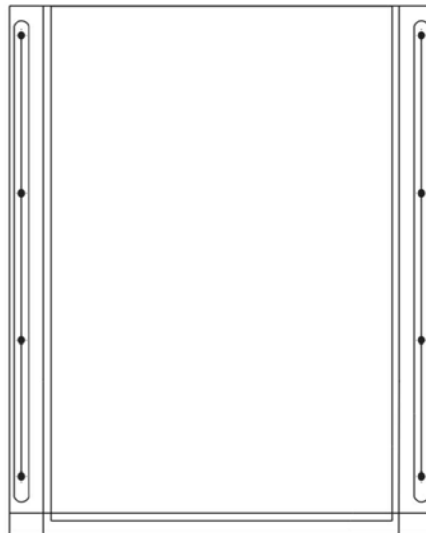
Back and Seat Upholstery



Back Upholstery
Non-Recliner - Nylon



Back Upholstery
Recliner - Nylon



Seat Upholstery
- Nylon

Back and Seat Upholstery

Non Recliner Back Upholstery - Nylon

Chair Width	10-14" Back Height	12-16" Back Height	14-18" Back Height	20" Back Height
12"	1044912	1028164	1028164	N/A
13"	1044913	1044718	1044718	N/A
14"	1044914	1028143	1028141	1028141
15"	1044915	1028146	1028144	1028144
16"	1044916	1028149	1028147	1028147
17"	1028151	1028151	1028150	1028150
18"	1028154	1028154	1028153	1028153
19"	1028157	1028157	1028156	1028156
20"	1028160	1028160	1028159	1028159

Recliner Back Upholstery - Nylon

Chair Width	18" Back Height	20" Back Height	24" Back Height
12"	1070990	1070991	1070992
13"	1070993	1070994	1070995
14"	1071714	1071715	1071716
15"	1071717	1071040	1071041
16"	1071053	1071042	1071043
17"	1071054	1071044	1071045
18"	1071055	1071046	1071047
19"	1071056	1071049	1071050
20"	1071057	1071051	1071052

Back and Seat Upholstery

Recliner Headrests - Nylon

12" Wide	13" Wide	14" Wide	15" Wide	16" Wide
1071012	1071013	1071014	1071060	1071061
17" Wide	18" Wide	19" Wide	20" Wide	
1071062	1071063	1071064	1071065	

Recliner Headrest Pillows - Nylon

12-13" Wide	14-15" Wide	16-18" Wide	19-20" Wide
1071010	1071011	1071058	1071059

Back and Headrest Upholstery Hardware Kits

Part Number	Description	Screw w/ Washer Quantity/Size per Kit
1026933	Non Recliner Back Upholstery	14 ea. (10-32 x 3/4")
1029154	Recliner Back Upholstery	12 ea. (10-32 x 7/8")
1030441	Headrest Upholstery	6 ea. (10-32 x 7/8")

Back and Seat Upholstery

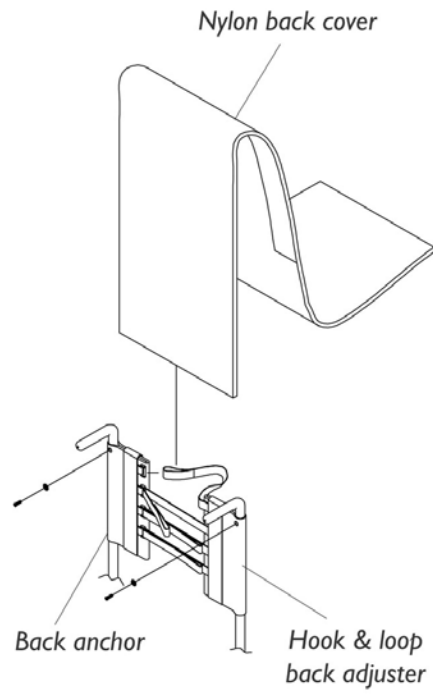
Seat Upholstery- Sail Cloth

Chair Width	12" Deep	13" Deep	14" Deep	15" Deep	16" Deep	17" Deep	18" Deep
12"	1032079	1032173	1032174	1065142	N/A	N/A	N/A
13"	1032177	1032178	1032179	1064706	1065143	N/A	N/A
14"	1032182	1032183	1032080	1032081	1032082	1032083	1032084
15"	N/A	1064707	1032085	1032086	1032087	1032088	1032089
16"	N/A	1064708	1032090	1032091	1032092	1032093	1032094
17"	N/A	1064709	1032095	1032096	1032097	1032098	1032099
18"	N/A	1064710	1032100	1032101	1032102	1032103	1032104
19"	N/A	N/A	N/A	N/A	1032105	1032106	1032107
20"	N/A	N/A	N/A	N/A	1032108	1032109	1032110

Seat Upholstery Hardware Kits

Seat Depth	Hardware Kit	Screw Quantity/Size per Kit
12-13"	1032184	8 ea. (#10-32 x 3/4")
14-15"	1026931	10 ea. (#10-32 x 3/4")
16-17"	1026932	12 ea. (#10-32 x 3/4")
18-19"	1026933	14 ea. (#10-32 x 3/4")
20"	1046294	16 ea. (#10-32 x 3/4")

Adjustable Tension Back Upholstery



Adjustable Tension Back Upholstery

Back Height	Seat Width	Back Anchor	Hook & Loop Adjuster	Back Cover	Back Assembly See Note(s) A
10-14"	12"	1046287	1046283	1050685	1079101
10-14"	13"	1046287	1046283	1050688	1079102
10-14"	14"	1046287	1046284	1037929	1079103
10-14"	15"	1046287	1046284	1037930	1079104
10-14"	16"	1046287	1046284	1037931	1079105
10-14"	17"	1046287	1046285	1037932	1079106
10-14"	18"	1046287	1046285	1037933	1079107
10-14"	19"	1046287	1046286	1037934	1079108
10-14"	20"	1046287	1046286	1037935	1079109
12-16"	12"	1037916	1052740	1050686	1052745
12-16"	13"	1037916	1052740	1050689	1052746
12-16"	14"	1037916	1037925	1037918	1039478
12-16"	15"	1037916	1037925	1037919	1039479
12-16"	16"	1037916	1037925	1037920	1039480
12-16"	17"	1037916	1037917	1037921	1039481
12-16"	18"	1037916	1037917	1037922	1039482
12-16"	19"	1037916	1037926	1037923	1039483
12-16"	20"	1037916	1037926	1037924	1039484
14-18"	12"	1037720	1052741	1050687	1052747
14-18"	13"	1037720	1052741	1050690	1052748
14-18"	14"	1037720	1037736	1037722	1039485
14-18"	15"	1037720	1037736	1037723	1039486
14-18"	16"	1037720	1037736	1037724	1039487
14-18"	17"	1037720	1037721	1037725	1039488
14-18"	18"	1037720	1037721	1037726	1039489
14-18"	19"	1037720	1037737	1037727	1039490
14-18"	20"	1037720	1037737	1037728	1039491
20"	14"	1046731	1046732	1046735	1046742
20"	15"	1046731	1046732	1046736	1046743
20"	16"	1046731	1046732	1046737	1046744
20"	17"	1046731	1046733	1046738	1046745
20"	18"	1046731	1046733	1046739	1046746
20"	19"	1046731	1046734	1046740	1046747
20"	20"	1046731	1046734	1046741	1046748

NOTE: A - Back Assembly includes Back Anchor, Hook and Loop Adjuster, Back Cover and Instruction Sheet.

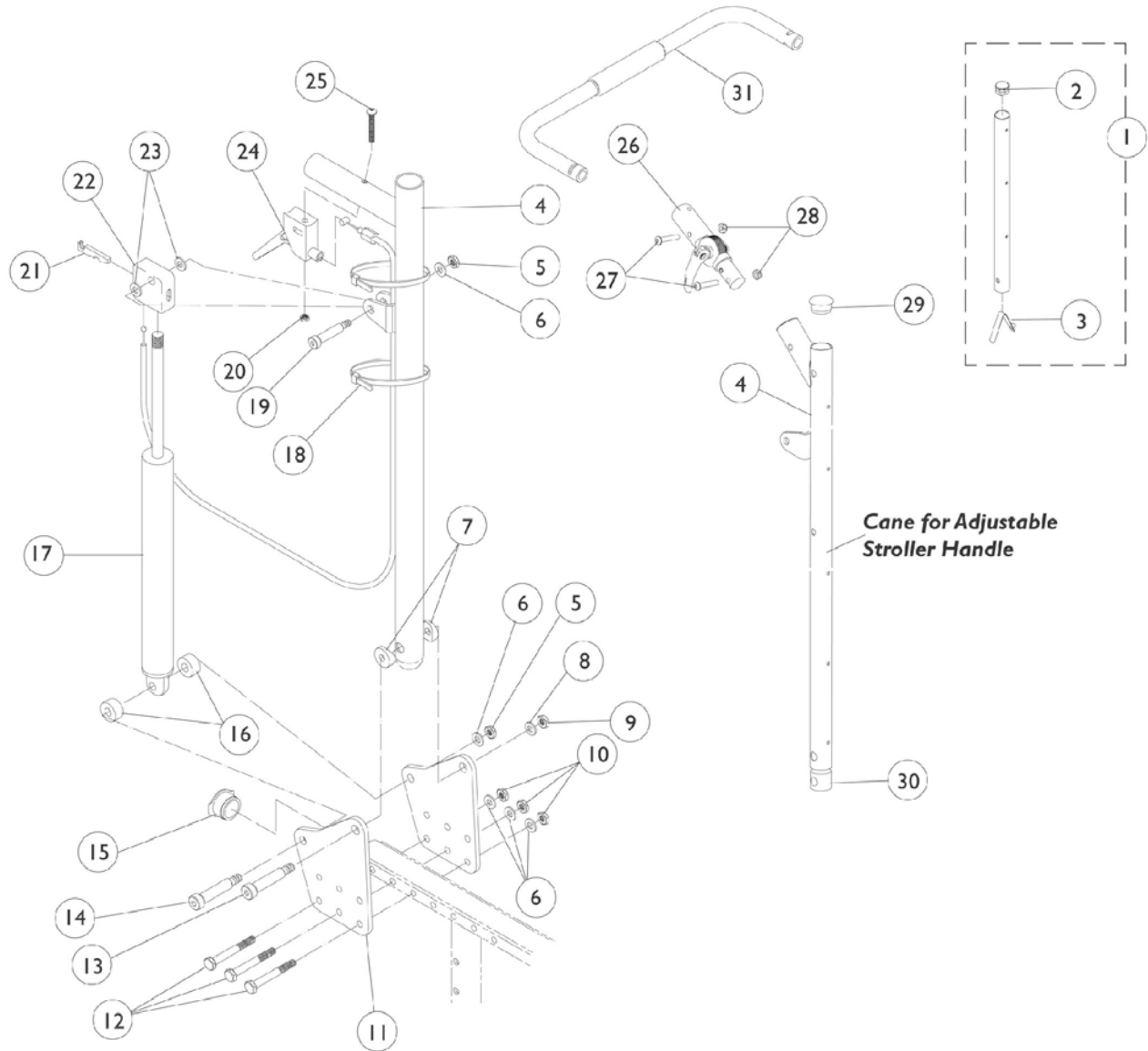
Adjustable Tension Back Upholstery

Adjustable Tension Back Upholstery Hardware

Item Number	Note	Part Number	Description	Quantity Per	
				Package	Assembly
	A	See Chart	Back Upholstery -Adjustable Tension	1	1
	A	1026298	Screws with Washers (#10 x 7/8")	2	1
	A	1039470	Instruction Sheet, Adjustable Tension Back Upholstery	1	1

NOTE: A - Not Shown

Reclining Back Assembly



Reclining Back Assembly

Item Number	Note	Part Number	Description	Quantity Per	
				Package	Assembly
1		1070998	Tube, Headrest Extension w/ Plug Button & Spring Button - Right	1	1
1		1070999	Tube, Headrest Extension w/ Plug Button & Spring Button - Left	1	1
2		1027095	Plug Button, Black (7/8")	1	1
3		1024713	Spring Button Lock	1	1
4	A	See Chart	#4 Back Canes	1	1
5		1025736	Locknut (1/4-20)	1	1
6		1026907	Washer (1/4 x 1/2 x 1/16")	1	8
7		1071729	Spacer, Coved (3/8 x 1 x 9/16")	1	4
8		1025704	Washer, Flat (5/16 x 5/8 x 1/16")	1	2
9		1026158	Locknut (5/16-18)	1	1
10		1065362	Locknut (1/4-28)	1	6
11		1071739	Bracket, Recliner	1	4
12		1055349	Screw, Hex Head (1/4-28 x 2")	1	6
13		1071737	Screw, Socket Head Shoulder (3/8 x 1-5/8")	1	2
14		1071736	Screw, Socket Head Shoulder (5/16 x 1-5/8")	1	2
15		1061056	Plug Button (1")	1	2
16		1069736	Bushing (3/8")	1	4
17		1050154	Lock Cylinder, Recline	1	2
18		1021260	Cable Tie (5-5/8" Long)	1	4
19		1050153	Screw, Socket Head Shoulder (5/16 x 7/8")	1	2
20		1025735	Locknut (#10-32)	1	2
21		1071735	Lever, Cylinder Release	1	2
22		1071718	Bracket, Cylinder Release	1	2
23		1046497	Washer, Nylon (5/16 x 7/8 x 1/64")	1	2
24		1069739	Release Handle and Cable	1	2
25		1025723	Screw, Phillips Pan Head w/ Patch (10-32 x 1-5/8")	1	2
26	A	1114690	Stroller Handle Hinge Hardware	2	1
27		1055309	Screw, Button Head (1/4-28 x 1-1/4")	1	4
28		1025765	Locknut (1/4-28)	1	4
29		1056328	Plug Button (1")	1	2
30		1081265	Plug	1	2
31		See Chart	#31 Folding Pushbar	1	1
		See Chart	Reclining Back Kits for Adjustable Angle Stroller Handle	1	1
		See Chart	Reclining Back Kits for Folding Pushbar	1	1

NOTE: A - Includes items 27 and 28

Reclining Back Kits for Adjustable Angle Stroller Handle

Chair Width	18" Back Height	20" Back Height	24" Back Height
12"	1085209	1085218	1085227

Reclining Back Assembly

Reclining Back Kits for Adjustable Angle Stroller Handle

Chair Width	18" Back Height	20" Back Height	24" Back Height
13"	1085210	1085219	1085228
14"	1085211	1085220	1085229
15"	1085212	1085221	1085230
16"	1085213	1085222	1085231
17"	1085214	1085223	1085232
18"	1085215	1085224	1085233
19"	1085216	1085225	1085234
20"	1085217	1085226	1085235

Reclining Back Kits contain all parts necessary to convert an existing Non-Reclining Allergro to a Recliner. Kits contain: Back Upholstery, Headrest, Pillow, Canes, Cable Releases, Axle Mounting Plate and Attaching Hardware.

Reclining Back Kits for Folding Pushbar

Chair Width	18" Back Height	20" Back Height	24" Back Height
12"	1071747	1071756	1071765
13"	1071748	1071757	1071766
14"	1071749	1071758	1071767
15"	1071750	1071759	1071768
16"	1071751	1071760	1071769
17"	1071752	1071761	1071770
18"	1071753	1071762	1071771
19"	1071754	1071763	1071772
20"	1071755	1071764	1071773

Reclining Back Kits contain all parts necessary to convert an existing Non-Reclining Allergro to a Recliner. Kits contain: Back Upholstery, Headrest, Pillow, Canes, Cable Releases, Axle Mounting Plate and Attaching Hardware.

Reclining Back Assembly

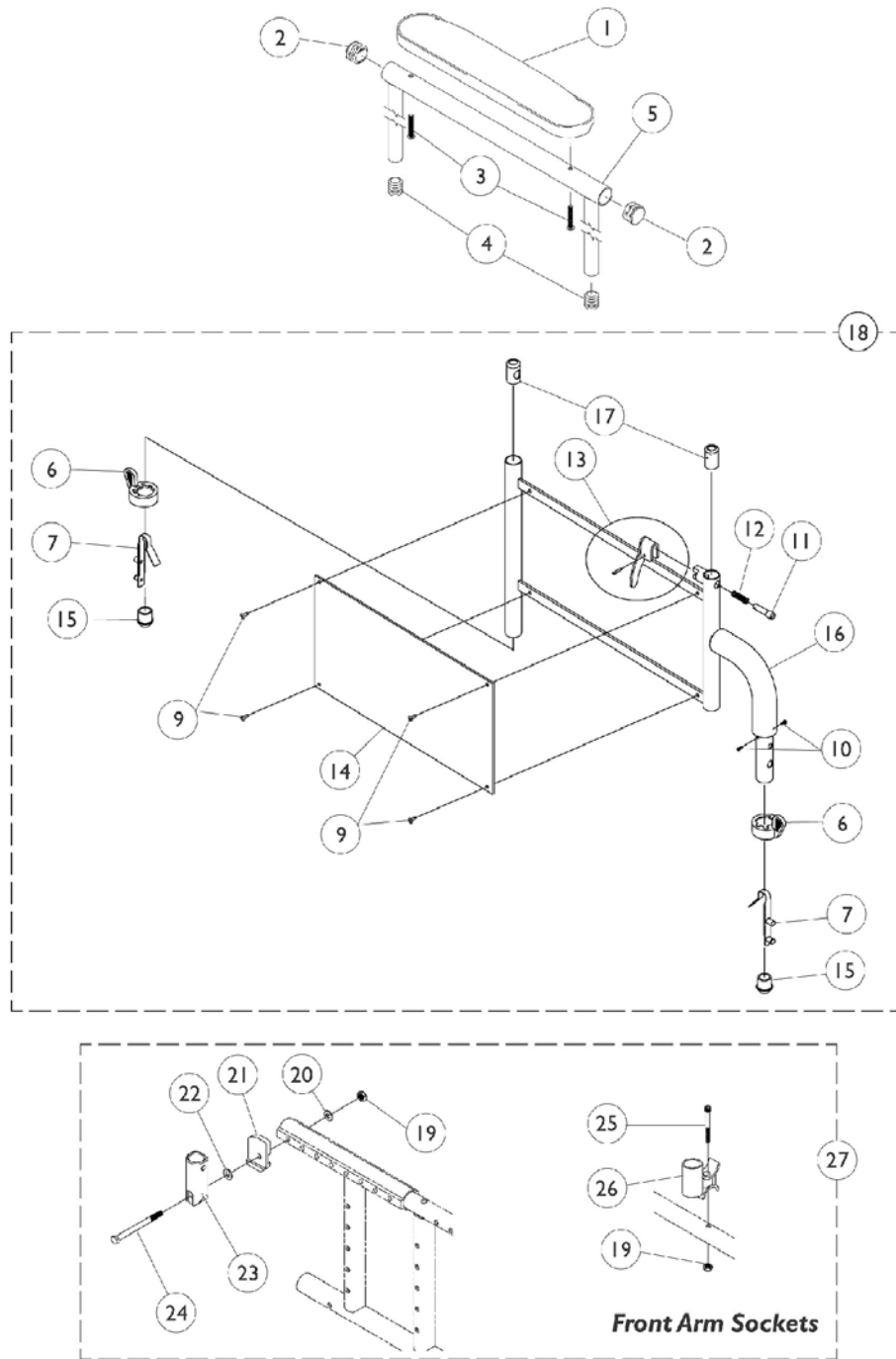
#4 Back Canes

Back Height	With Non Adjustable Stroller Handle Right	With Non Adjustable Stroller Handle Left	With Adjustable Stroller Handle Right	With Adjustable Stroller Handle Left
18"	1069794	1069795	1076527	1076528
20"	1069747	1069748	1083897	1083898
24"	1069751	1069752	1083904	1083924

#31 Folding Pushbar

12" Wide	13" Wide	14" Wide	15" Wide	16" Wide
1071006	1071007	1071008	1069782	1069783
17" Wide	18" Wide	19" Wide	20" Wide	
1069784	1069785	1071029	1071030	

Adjustable Height Arms



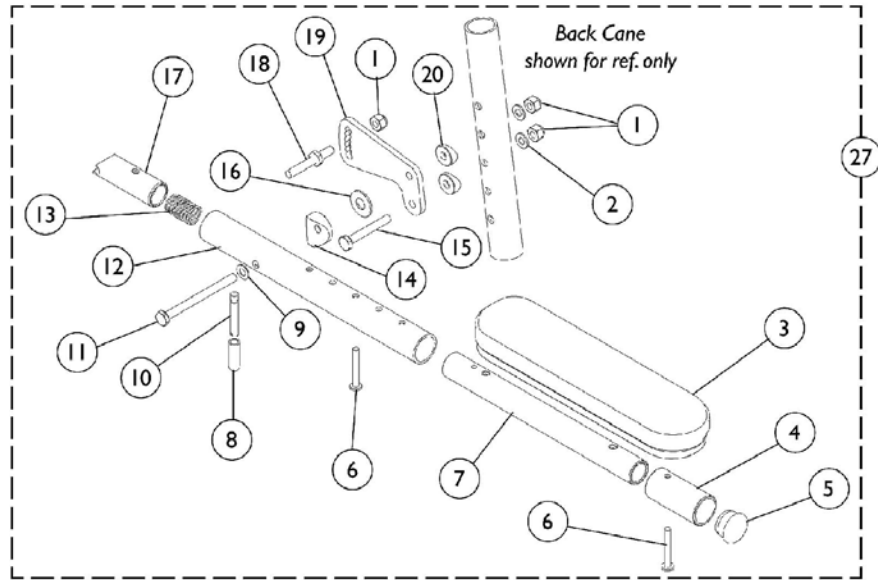
Adjustable Height Arms

Item Number	Note	Part Number	Description	Quantity Per	
				Package	Assembly
1	A	8881053570	Arm Pads with Screws - Desk Length	2	1
1	A	8881053571	Arm Pads with Screws - Full Length	2	1
2		1027095	Plug Button, Black (7/8")	1	2
3		40183X002	Screw, Phillips Pan Head (#10-32 x 1-1/8")	1	2
4		1035614	Plug Button (5/8") Black	1	2
5		1038470	Arm Tube Assembly w/o Pad w/ Plug Buttons, Conventional - Desk Length (Right/Left) (Black)	1	1
5		1068576	Arm Tube Assembly w/o Pad w/ Plug Buttons, Conventional - Full Length (Right/Left) (Black)	1	1
6		1015450	Handle, Quad Release	1	2
7		1018225	Spring and Button Lock	1	2
9		1028645	Rivet	1	4
10		1025729	Screw, Self Tapping Pan Head (#8-32 x 3/8")	1	2
11		47471X068	Locking Pin	1	1
12		47471X074	Spring, Arm Lock	1	1
13		1090768	Kit, Lock Handle w/Rivets (both LT & RT side)	2	1
14		1064129	Clothing Guard	1	1
15		1036484	Plug, Arm Tube (3/4")	1	1
16		1037718	Grip, Foam	1	1
17		1036150	Anti-Rattle	1	1
18		1036783	Arm Base Assembly, Adjustable Height Conventional - Right	1	1
18		1036784	Arm Base Assembly, Adjustable Height Conventional - Left	1	1
19		1025765	Locknut (1/4-28)	1	2
20		1026907	Washer (1/4 x 1/2 x 1/16")	1	2
21		1068441	Arm Socket Mount, Rear (Right/ Left)	1	2
22		1046497	Washer, Nylon (5/16 x 7/8 x 1/64")	1	2
23		1068443	Arm Socket, Rear	1	2
24		1055351	Screw, Hex Head (1/4-28 x 2-1/2")	1	2
25		1059251	Screw, Socket Head (1/4-28 x 1-1/2")	1	2
26		1038129	Arm Socket, Front	1	2
27	B	1068483	Arm Hardware (1 Pair)	2	1

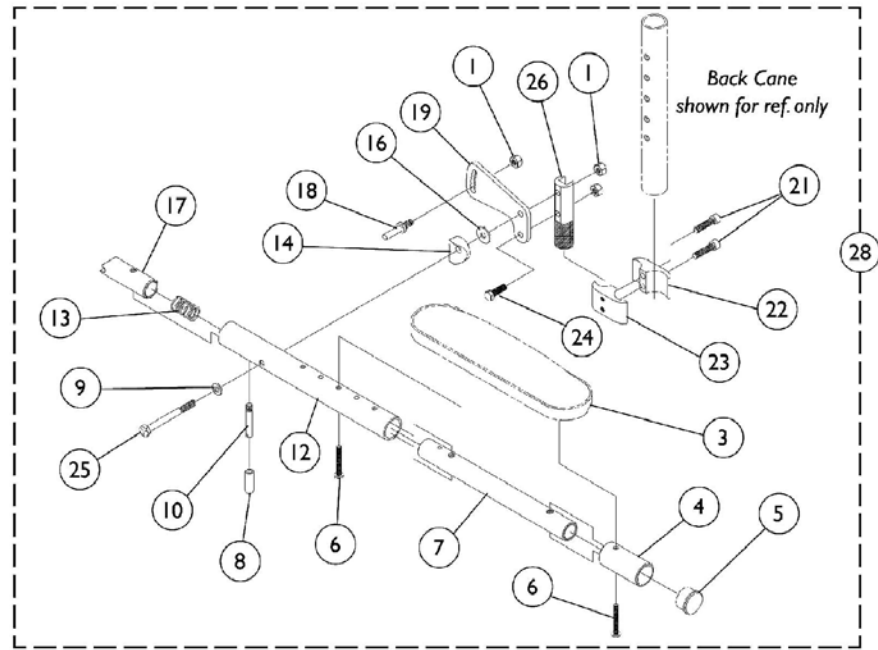
NOTE: A - Specify U67 upholstery color when ordering.
B - Includes items 19-26

Cantilever Arms

Desk Length



Bolt On Cantilever Arm



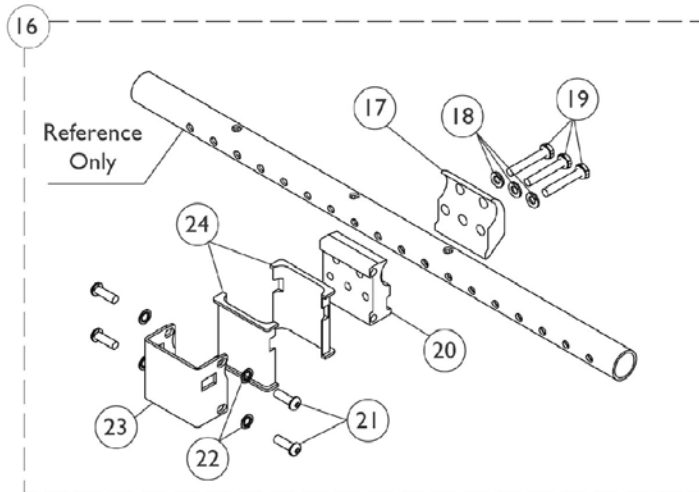
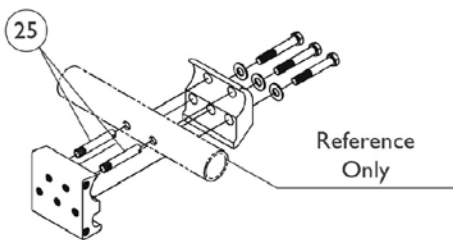
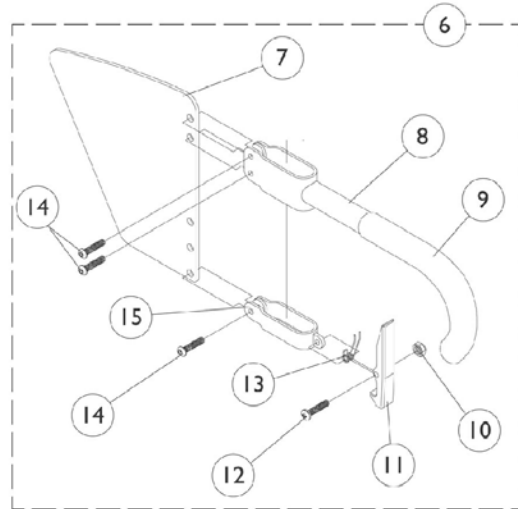
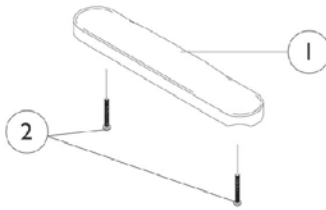
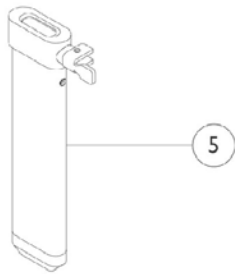
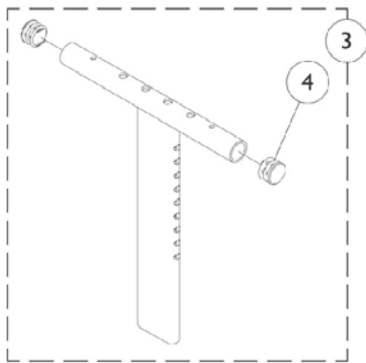
Clamp On Cantilever Arm

Cantilever Arms Desk Length

Item Number	Note	Part Number	Description	Quantity Per	
				Package	Assembly
1		1065362	Locknut (1/4-28)	1	3
2		1026907	Washer (1/4 x 1/2 x 1/16")	1	2
3	A	8881053578	Arm Pads, Vinyl, Desk Length with Screws (9" L x 2" W)	2	1
4		1042598	Tube, Arm Extension	1	1
5		1056328	Plug Button (1")	1	1
6		1026107	Screw, Phillips Pan Head (#10-32 x 1-3/8")	1	2
7		1068600	Slide Tube, Cantilever Arm	1	1
8		1059271	Tip, Protective (Black)	1	1
9		1026103	Washer, Nylon (1/4 x 1/2 x 1/32")	1	1
10		1058545	Lever, Actuator	1	1
11		1059374	Screw, Hex Head Cap (1/4-28 x 3")	1	1
12		1068588	Arm Tube	1	1
13		1011511	Spring, Compression (1")	1	1
14		40157X020	Spacer, Coved (1/4 x 1 x 9/16")	1	1
15		1055348	Screw, Hex Head Cap (1/4-28 x 1-3/4")	1	1
16		1012371	Washer, Nylon (3/8 x 7/8 x 1/16")	1	1
17		1058232	Plug, Latch	1	1
18		1058231	Pin, Locking	1	1
19		1058542	Bracket, Armrest Mounting	1	1
20		1026099	Spacer, Coved (1/4 x 11/16 x 1/2")	1	2
21		1027268	Screw, Allen Head (1/4-20 x 1")	1	2
22		1043711	Clamp, Non-Threaded	1	1
23		1043712	Clamp, Threaded	1	1
24		1055346	Screw, Hex Head Cap (1/4-28 x 3/4")	1	1
25		1055349	Screw, Hex Head (1/4-28 x 2")	1	1
26		1062787	Arm Support, Clamp On	1	1
27	B	1069200	Cantilever Arm, Bolt On w/ Arm Pad -Right	1	1
27	B	1069201	Cantilever Arm, Bolt On w/ Arm Pad -Left	1	1
28	C	1069202	Cantilever Arm, Clamp On w/ Arm Pad -Right	1	1
28	C	1069203	Cantilever Arm, Clamp On w/ Arm Pad -Left	1	1
	D	1069166	Instruction Sheet, Cantilever Arm	1	1

NOTE: A - Specify upholstery color U67 Black when ordering.
 B - Includes items 1-20 plus Instruction Sheet
 C - Includes items 1, 3-10, 12-14, 16-19, 21-26 and Instruction Sheet.
 D - Not Shown

"T" Arm and Hardware



"T" Arm and Hardware

Item Number	Note	Part Number	Description	Quantity Per	
				Package	Assembly
1	A	8881053570	Arm Pads with Screws - Desk Length	2	1
1	A	8881053571	Arm Pads with Screws - Full Length	2	1
2		1055205	Package, Screw Phillips Head (#10-32 x 1-3/8")	2	1
3		1069639	"T" Arm w/ Plug Buttons, Desk Length - Low Range	1	1
3		1069643	"T" Arm w/ Plug Buttons, Full Length - Low Range	1	1
3		1069641	"T" Arm w/ Plug Buttons, Desk Length - High Range	1	1
3		1069645	"T" Arm w/ Plug Buttons, Full Length - High Range	1	1
4		1027095	Plug Button, Black (7/8")	1	2
5		1069635	Arm Post, Low Range	1	1
5		1069637	Arm Post, High Range	1	1
6		1073424	Kit, Clothing Guard, Low Range - Right	1	1
6		1073425	Kit, Clothing Guard, Low Range - Left	1	1
6		1073422	Kit, Clothing Guard, High Range - Right	1	1
6		1073423	Kit, Clothing Guard, High Range - Left	1	1
7		1069651	Clothing Guard, High Range	1	1
7		1069652	Clothing Guard, Low Range	1	1
8		1069634	Support Tube, Low Range - Right	1	1
8		1073247	Support Tube, Low Range - Left	1	1
8		1069650	Support Tube, High Range - Right	1	1
8		1073246	Support Tube, High Range - Left	1	1
9		1028427	Grip, Foam	1	1
10		1025731	Locknut (#10-32)	1	1
11		1073235	Lock Lever	1	1
12		7930328	Screw, Phillips Pan Head (#10-32 x 11/16")	25	1
13		1073196	Spring	1	1
14		1006773	Screw, Socket Head (1/4-20 x 1/2")	1	3
15		1075069	Clamp, Clothing Guard - Right	1	1
15		1075070	Clamp, Clothing Guard - Left	1	1
16		1069627	Arm Post Attaching Hardware, Clamp On	1	1
17		1069605	Clamp, "T" Arm Socket -Inside	1	1
18		1026907	Washer (1/4 x 1/2 x 1/16")	1	3
19		1055347	Screw, Hex Head (1/4-28 x 1-1/2")	1	3
20		1075162	Clamp, "T" Arm Socket -Outside	1	1
21		1055305	Screw, Button Head Socket Cap (1/4-28 x 3/4")	1	4
22		1026108	Lockwasher (1/4 x 15/32 x 1/64")	1	4
23		1069620	Bracket, Socket	1	1
24		1069609	Insert, Arm Socket	1	2
25		1058545	Lever, Actuator	1	1
		See Chart	"T" Arm Kits (Includes items 1-3,5-6)	1	1

NOTE: A - Specify U67 upholstery color when ordering.

"T" Arm and Hardware

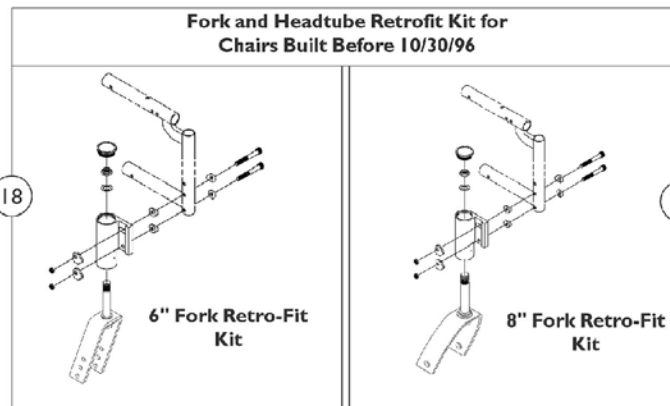
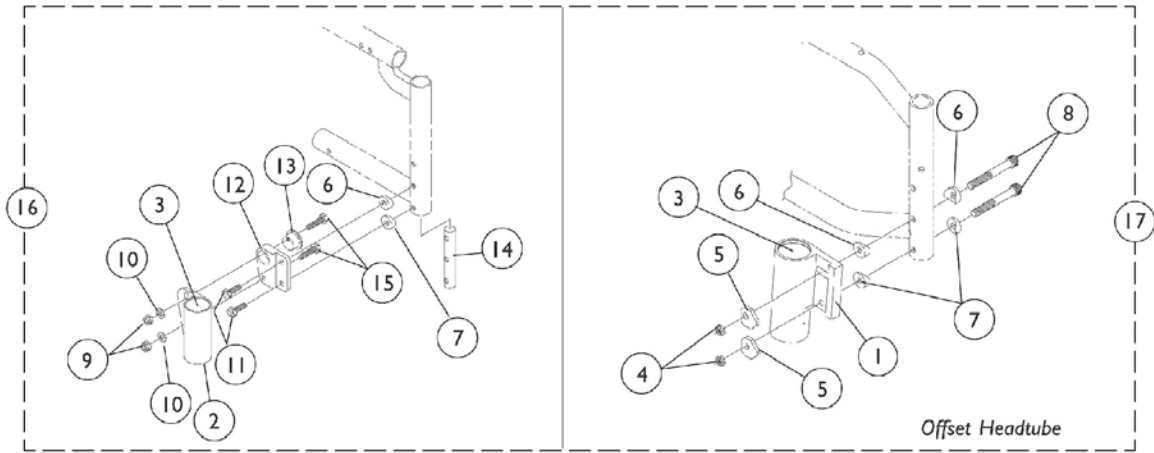
"T" Arm Kits (Includes items 1-3,5-6)

Part Number	Arm Style
8881074078	Desk Length, Pediatric (1 Pair)
8881074079	Desk Length, Adult (1 Pair)
8881074080	Full Length, Pediatric (1 Pair)
8881074081	Full Length, Adult (1 Pair)

Specify U67 upholstery color when ordering.

Caster Headtubes and Hardware

Chairs Built Before 4/03



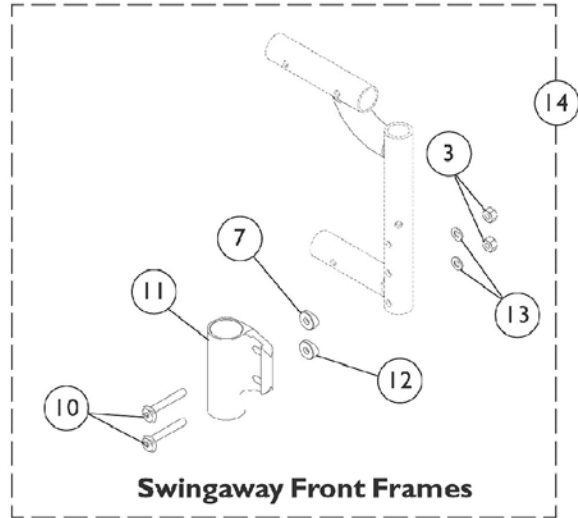
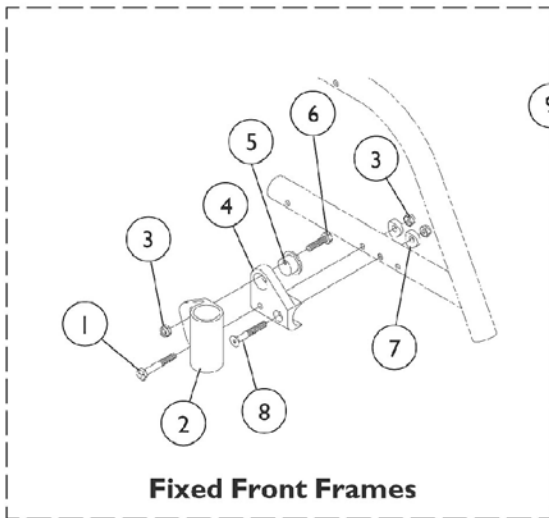
Caster Headtubes and Hardware Chairs Built Before 4/03

Item Number	Note	Part Number	Description	Quantity Per	
				Package	Assembly
1	A,B	1066604	Headtube, Caster - Right	1	1
1	A,B	1066605	Headtube, Caster -Left	1	1
2		1076369	Headtube, Caster -Right	1	1
2		1076370	Headtube, Caster -Left	1	1
3		40117X021	Bearing (1/2" I.D. x 1-1/8" O.D.)	1	2
4		1065362	Locknut (1/4-28)	1	4
5		1040355	Cam, Headtube Adjustment	1	2
6		1026099	Spacer, Coved (1/4 x 11/16 x 1/2")	1	2
7		1009861	Spacer, Coved (1/4 x 11/16 x 1/2")	1	2
8		1055349	Screw, Hex Head (1/4-28 x 2")	1	4
9		1055366	Locknut (1/4-28)	1	4
10		1026907	Washer (1/4 x 1/2 x 1/16")	1	4
11		1055296	Screw, Hex Head Socket (1/4-28 x 1")	1	2
12		1040773	Bracket, Headtube Adjustment -Right	1	1
12		1040774	Bracket, Headtube Adjustment -Left	1	1
13		1040766	Cam, Headtube Adjustment	1	2
14		1056675	Nut, Barrel (1/4-28)	1	2
15		1075223	Screw, Hex Head (1/4-28 x 1-1/4")	1	4
16		1061075	Headtube Mounting Hardware (1 Pair)	2	2
17		1062467	Headtube Mounting Hardware, Offset (1 Pair)	2	2
18	C	1065633	Fork Retro-Fit Kit, 6" (1 Pair)	2	2
19	C	1065634	Fork Retro-Fit Kit, 8" (1 Pair)	2	2

NOTE: A - Order Fork and Headtube Retrofit Kits for Offset Caster Headtubes on Chairs Made Before 10/30/96. See items 17 & 18.
 B - Chairs Built After 10/29/96
 C - Chairs Built Before 10/30/96

Caster Headtubes and Hardware

Chairs Built After 3/03

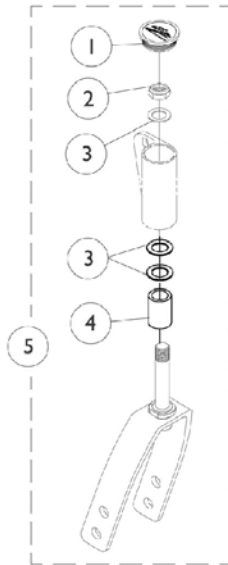


Caster Headtubes and Hardware Chairs Built After 3/03

Item Number	Note	Part Number	Description	Quantity Per	
				Package	Assembly
1		1055349	Screw, Hex Head (1/4-28 x 2")	1	2
2		1076369	Headtube, Caster -Right	1	1
2		1076370	Headtube, Caster -Left	1	1
3		1055366	Locknut (1/4-28)	1	4
4		1040759	Bracket, Headtube Adjustment - Right	1	1
4		1040760	Bracket, Headtube Adjustment - Left	1	1
5		1040766	Cam, Headtube Adjustment	1	2
6	A	1055296	Screw, Hex Head Socket (1/4-28 x 1")	1	2
6	B	1055347	Screw, Hex Head (1/4-28 x 1-1/2")	1	2
7		1026099	Spacer, Coved (1/4 x 11/16 x 1/2")	1	4
8		1055332	Screw, Socket Flat Head (1/4 -28 x 1-3/4")	1	2
9	C	1046147	Kit, Caster Headtubes with Mounting Hardware (1 Pair)	1	1
10		1113501	Screw, Eccentric (1/4-28 x 1-11/16")	1	4
11		1113576	Headtube, Caster - Right	1	1
11		1113577	Headtube, Caster - Left	1	1
	E	40117X021	Bearing (1/2" I.D. x 1-1/8" O.D.)	1	2
12		1009861	Spacer, Coved (1/4 x 11/16 x 1/2")	1	4
13		1026907	Washer (1/4 x 1/2 x 1/16")	1	4
14	D	1114704	Kit, Caster Headtubes with Mounting Hardware (1 Pair)	1	1

NOTE: A - Chairs without Transport Option
 B - Chairs with Transport Option
 C - Fixed Front Frames. Includes items 1-8.
 D - Swingaway Front Frames. Includes items 3,7, & 10-13.
 E - Not Shown - Caster Headtube Bearings

Forks and Hardware



Item Number	Note	Part Number	Description	Quantity Per	
				Package	Assembly
1		1038353	Cap, Caster Headtube	1	2
2		1025737	Locknut (1/2-20)	1	2
3		1026174	Washer (1/2 x 7/8 x 3/64")	1	2
4		1046495	Spacer (1/2 x 3/4 x 1")	1	2
4		1026852	Spacer (2")	1	2
5	A	1065623	Kit, Fork with Hardware - 3" Caster	1	2
5	A	1065624	Kit, Fork with Hardware and 1" Spacer - 3"/5" Caster	1	2
5	A	1065625	Kit, Fork with Hardware and 2" Spacer - 3" Caster	1	2
5	A	1065626	Kit, Fork with Hardware - 5" Caster	1	2
5	A	1065627	Kit, Fork with Hardware and 1" Spacer - 5"/6" Caster	1	2
5	A	1065628	Kit, Fork w/ Hardware - All 6" Casters except 6 x 2"	1	2
5	A	1065629	Kit, Fork w/ Hardware - 6 x 2" & 8" Casters	1	2

NOTE: A - Includes items 1-4

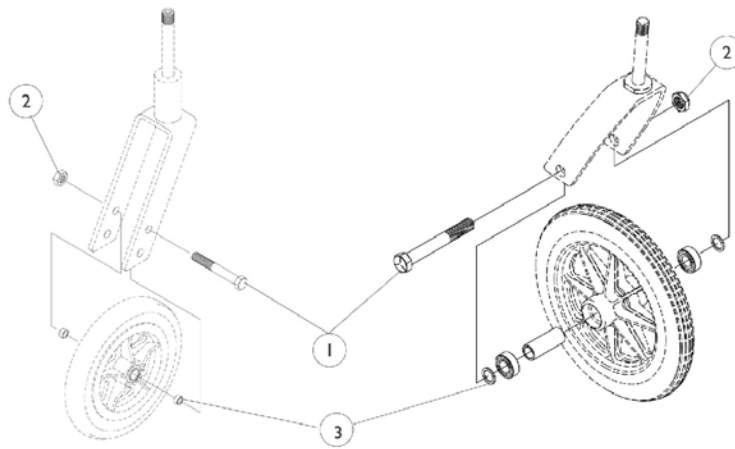
Caster Wheels

Casters

Wheel Style	Wheel Size	Tire Type	Bearing	Bearing Spacer	Caster Wheel w/ Bearings	Tire	Tube/ Insert
AT900	3"	Urethane	40117X026	1026172	1032190	N/A	N/A
5ALUM	5"	Urethane	40117X026	1026172	1026952	N/A	N/A
AT901	5"	Urethane	40117X026	1026172	1029496	N/A	N/A
AT902	6 x 1"	Urethane	40117X026	1026172	1029500	N/A	N/A
6SKYWAY	6 x 1"	Urethane	40117X026	1026172	1026956	N/A	N/A
6PNEU	6 x 2"	Pneumatic	40117X026	1026172	1044040	1026010	1026011
AT903	8 x 1-1/4"	Urethane	1006049	1020592	1038161	1038157	N/A
AT1292	8 x 1-1/4"	Pneumatic	1006049	1020592	1009481	40176X040	40176X041
AT1292FF	8 x 1-1/4"	Pneumatic w/ Flat Free	1006049	1020592	1025111	40176X040	1010904
1228	8 x 1-3/4"	Semi Pneumatic	1006049	1020592	1070811	N/A	N/A

6" Pneumatic Wheels with Flat-Free Inserts are No Longer Available. 6" Composite Urethane Wheels may be used as a suitable replacement.

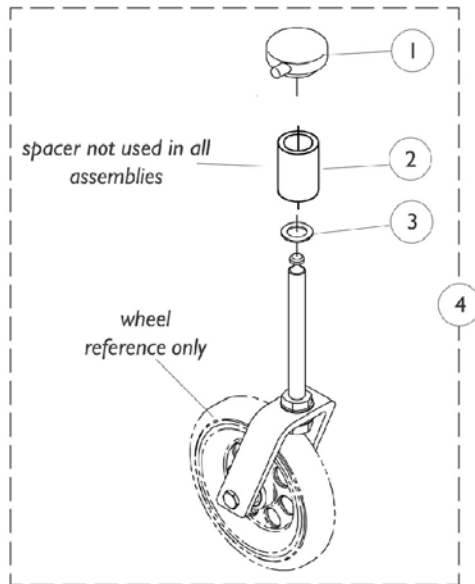
Caster Hardware



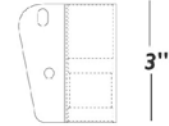
Caster Hardware

Wheel Style	Wheel Size	Tire Type	#1 Axle	#2 Locknut	#3 Axle Spacer
AT900/5ALUM/ AT901	3"/5"	Urethane	1026908	1025730	1026102
AT902/ 6SKYWAY	6"	Urethane	1025764	1025730	1026102
6PNEU	6"	Pneumatic	1025764	1025730	1025704
AT903	8 x 1-1/4"	Urethane	1025726	1025734	1025724
1228	8 x 1-3/4"	Semi-Pneumatic	1025726	1025734	1025724
AT1292	8 x 1-1/4"	Pneumatic	1025726	1025734	1025724
AT1292FF	8 x 1-1/4"	Pneumatic w/ Flat Free	1025726	1025734	1025724

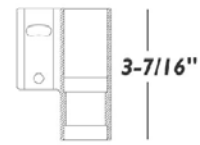
Quick Release Caster



Caster Headtube Size References



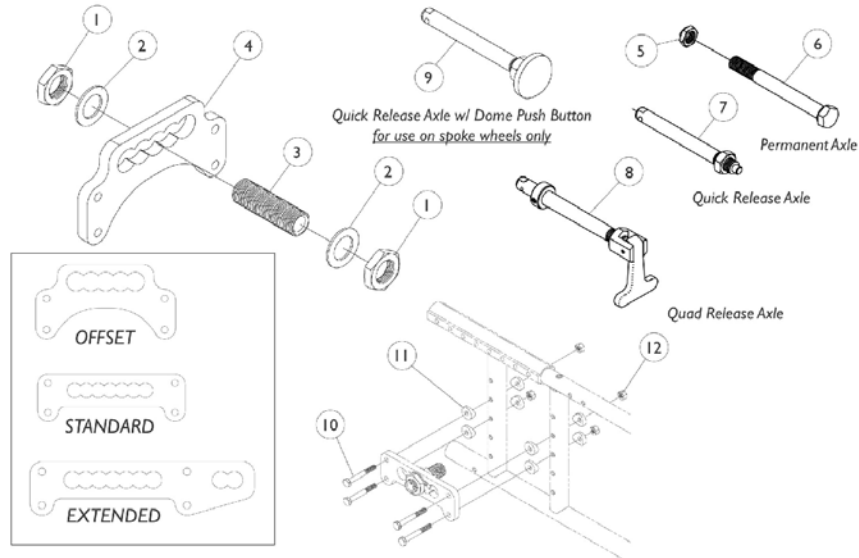
Adjustable Headtube



Offset Headtube

Item Number	Note	Part Number	Description	Quantity Per	
				Package	Assembly
1		1042044	Cap, Headtube - Quick Release Caster	1	2
2		1046495	Spacer (1/2 x 3/4 x 1")	1	2
2		1026852	Spacer (2")	1	2
3		1026174	Washer (1/2 x 7/8 x 3/64")	1	2
4		1066384	Quick Release Caster Fork Assembly, 3" Quick Release Fork	1	2
4		1066385	Quick Release Caster Fork Assembly, 3" Quick Release Fork with 1" Extension	1	2
4		1066386	Quick Release Caster Fork Assembly, 3" Quick Release Fork with 2" Extension	1	2
4		1066387	Quick Release Caster Fork Assembly, 5" Quick Release Fork	1	2
4		1066388	Quick Release Caster Fork Assembly, 5" Quick Release Fork with 1" Extension	1	2
4		1066389	Quick Release Caster Fork Assembly, 5" Quick Release Fork with 2" Extension	1	2
4		1066390	Quick Release Caster Fork Assembly, 6" Quick Release Fork, 3" Caster Headtube	1	2
4		1066397	Kit, Quick Release Caster Fork -6" Fork for 3-7/16" Offset Caster Headtube	1	2

Axle and Axle Mounting Plates



Item Number	Note	Part Number	Description	Quantity Per	
				Package	Assembly
1		1044945	Nut, Hex (3/4-16)	1	1
2		1025701	Washer (3/4 x 1-1/4 x 1/16")	1	2
3	D	1026178	Bushing, Axle (2-1/2")	1	1
3	E	1043488	Bushing, Axle (2-1/8")	1	1
4		1059099	Plate, Axle Mounting -Standard	1	1
4		1059101	Plate, Axle Mounting -Offset	1	1
4		1059103	Plate, Axle Mounting -Extended	1	1
5		1025737	Locknut (1/2-20)	1	1
6		1049227	Screw, Hex Head (1/2-20 x 5-1/4")	1	1
7	A	1026930	Axle, Quick Release (1/2 x 4-1/2")	1	1
7	B	1040361	Axle, Quick Release w/ Locknut (1/2" x 5")	1	1
8		1043487	Axle, Quad Release	1	1
9	C	1068038-NLA	Axle, Quick Release (Dome)	1	1
9		1113049	Axle, Quick Release with Dome Button (Black)	1	1
10		1055349	Screw, Hex Head (1/4-28 x 2")	1	4
11		40157X020	Spacer, Coved (1/4 x 1 x 9/16")	1	8
12		1065362	Locknut (1/4-28)	1	4

NOTE: A - Chairs built Before 9/94
 B - Chairs built After 8/94
 C - Q.R. Axle (1068038) had an Anodized Dome finish. Q.R. Axle part no. 1113049, w/ Black dome button, can be used as a replacement but may want to replace in pairs due to aesthetics.
 D - Quick Release or Permanent Axles
 E - Quad Release Axles

Composite Rear Wheels (without Handrims)

Wheel Style	Wheel Size	Tire Type	Wheel w/o Handrim	Tire	Tube/ Insert	Bearing	Hub Spacer
20COM	20 x 1-3/8"	Pneumatic	1026422	1017519	1017520	40117X022	1015756
20COM	20 x 1-3/8"	Pneumatic w/ Flat Free	1026423	1017519	1023322	40117X022	1015756
20COM	20 x 1-1/4"	Urethane	1038364	1037774	N/A	40117X022	1015756
22COM	22 x 1-3/8"	Pneumatic	1026420	1018544	1018545	40117X022	1015756
22COM	22 x 1-3/8"	Pneumatic w/ Flat Free	1026421	1018544	1023323	40117X022	1015756
22COM	22 x 1-1/4"	Urethane	1032116	1028250	N/A	40117X022	1015756
24COM7	24 x 1-1/4"	Urethane	1032118	1026904	N/A	40117X022	1015756
24COM7	24 x 1-3/8"	Pneumatic	1026362	40176X060	40176X061	40117X022	1015756
24COM7	24 x 1-3/8"	Pneumatic w/ Flat Free	1026363	40176X060	1010906	40117X022	1015756
24COM7	24 x 1-1/4"	KIK	1091330	1062852	N/A	40117X022	1015756

Spoke Rear Wheels (without Handrims)

Wheel Style	Wheel Size	Tire Type	Wheel w/o Hdrn.	Tire	Tube Insert	Bearing	Hub Spacer
20SP	20 x 1-3/8"	Pneumatic	1115585 See Note(s) A	1017519	1017520	40117X021	1015756
20SP	20 x 1-3/8"	Pneumatic w/ Flat Free	1115589 See Note(s) A	1017519	1023322	40117X021	1015756
22SP	22 x 1-3/8"	Pneumatic	1115656 See Note(s) A	1018544	1018545	40117X021	1015756
22SP	22 x 1-3/8"	Pneumatic w/ Flat Free	1115658 See Note(s) A	1018544	1023323	40117X021	1015756
24SP	24 x 1-3/8"	Pneumatic	1115660 See Note(s) A	40176X060	40176X061	40117X021	1015756
24SP	24 x 1-3/8"	Pneumatic w/ Flat Free	1116707 See Note(s) A	40176X060	1010906	40117X021	1015756
24SP	24 x 1-3/8"	Primo	1115662 See Note(s) A	1026138	1032240	40117X021	1015756
24SP	24 x 1-1/4"	Continental	1116705 See Note(s) A	1026139	N/A	40117X021	1015756
24SP	24 x 1-1/4"	KIK	1114112 See Note(s) A	1062852	N/A	40117X021	1015756
NOTE: A - As of 11/08/02 these wheels now have a Black finish. For chairs built Before 11/08/02, it is recommended when one wheel is requested that the wheels be replaced in pairs.							

Spoke Rear Wheels (with Handrims)

Wheel Style	Tire Type	Anodized Aluminum	Grey Plastic Coated	Black Plastic Coated	8 Vertical Projection	8 Oblique Projection
20SP	Pneumatic	1115584 See Note(s) A	1049448-NLA	1115423 See Note(s) A	N/A	N/A
20SP	Pneumatic w/ Flat Free	1115586 See Note(s) A	1049450-NLA	1115424 See Note(s) A	N/A	N/A
22SP	Pneumatic	1115588 See Note(s) A	1049452-NLA	1115591 See Note(s) A	1115425 See Note(s) A	N/A
22SP	Pneumatic with Flat Free	1115590 See Note(s) A	1049456-NLA	1115593 See Note(s) A	1115426 See Note(s) A	N/A
24SP	Pneumatic	1115594 See Note(s) A	1049460-NLA	1115599 See Note(s) A	1115427 See Note(s) A	1115428 See Note(s) A
24SP	Pneumatic with Flat Free	1115597 See Note(s) A	1049465-NLA	1115601 See Note(s) A	1115429 See Note(s) A	1115430 See Note(s) A
24SP	Primo	1115602 See Note(s) A	1049470-NLA	1115603 See Note(s) A	1115431 See Note(s) A	1115432 See Note(s) A
24SP	Continental	1115606 See Note(s) A	1049475-NLA	1115607 See Note(s) A	1115433 See Note(s) A	1115434 See Note(s) A
24SP	KIK	1115645 See Note(s) A	1091332-NLA	1115646 See Note(s) A	1115447 See Note(s) A	1115448 See Note(s) A

NOTE: A - As of 11/8/02 these wheels now have a Black finish. For chairs built Before 11/8/02, it is recommended when one wheel is requested that the wheels be replaced in pairs.

Handrims

Non Projection Handrims

Wheel Style	Anodized Aluminum	Grey Plastic Coated	Black Plastic Coated
20COM	1020017	1020019-NLA See Note(s) A	1115400
20SP	1043442	1043498-NLA See Note(s) A	1043688
22COM	1033373	1026419-NLA See Note(s) A	1115401
22SP	1043443	1043499-NLA See Note(s) A	1043689
24COM7	1033372	1015784-NLA See Note(s) A	1115397
24SP	1026136	1029483-NLA See Note(s) A	1035612

NOTE: A - Grey plastic coated handrim is no longer available; if a replacement is needed, order the black plastic coated as replacement in pairs so the handrims on both sides of the chair match.

Projection Handrims

Wheel Style	8 Vertical Projections (Grey)	8 Oblique Projections (Grey)	12 Vertical Projections (Grey)	8 Vertical Projections (Black)	8 Oblique Projections (Black)	12 Vertical Projections (Black)
20COM	N/A	N/A	N/A	N/A	N/A	N/A
20SP	N/A	N/A	N/A	N/A	N/A	N/A
22COM	1046922-NLA See Note(s) A	N/A	N/A	1115412	N/A	N/A
22SP	1045506-NLA See Note(s) A	N/A	N/A	1115407	N/A	N/A
24COM7	1015432-NLA See Note(s) A	1015434-NLA See Note(s) A	1015433-NLA See Note(s) A	1115394	1115396	1115395
24SP	1115408 See Note(s) A	1045510-NLA See Note(s) A	N/A	1115408	1115411	N/A

NOTE: A - Grey plastic coated handrim is no longer available; if a replacement is needed, order the black plastic coated as replacement in pairs so the handrims on both sides of the chair match.

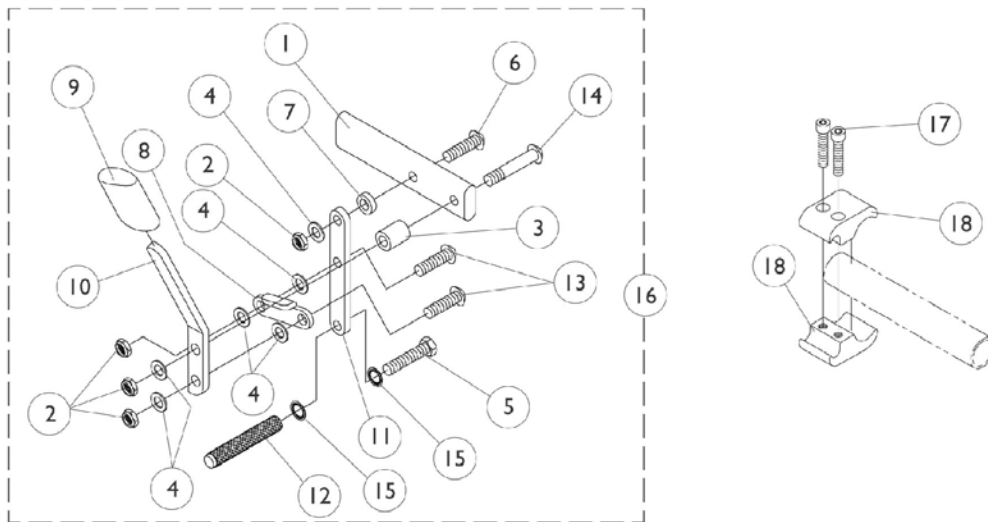
Handrim Hardware

(Hardware Kits To Attach A Single Handrim Only)

Wheel Style	Anodized Aluminum	Grey/Black Plastic Coated	8 Vertical Projections	8 Oblique Projections	12 Vertical Projections
20COM	1025153	1025158	N/A	N/A	N/A
20SP	1043708	1043708	N/A	N/A	N/A
22COM	1026384	1026383	1026380	N/A	N/A
22SP	1043708	1043708	1026910	N/A	N/A
24COM7	1026384	1026383	1026380	1026381	1026382
24SP	1026910	1026910	1026910	1026910	N/A

High Mount Wheel Lock

Push to Lock



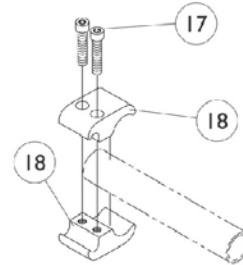
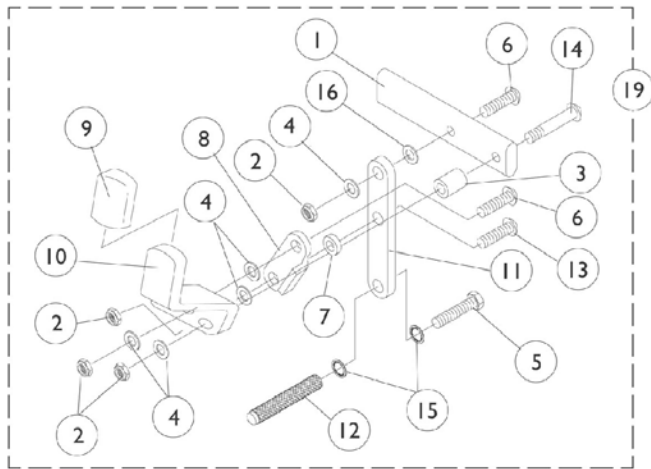
High Mount Wheel Lock Push to Lock

Item Number	Note	Part Number	Description	Quantity Per	
				Package	Assembly
1		1028399	Strap, Wheel Lock	1	1
2		1025765	Locknut (1/4-28)	1	4
3		1020363	Spacer (1/4 x 1/2 x 1/2")	1	1
4		1026103	Washer, Nylon (1/4 x 1/2 x 1/32")	1	6
5	A	1055346	Screw, Hex Head Cap (1/4-28 x 3/4")	1	1
6		1055306	Screw, Button Head Cap (1/4-28 x 7/8")	1	1
7		1028411	Spacer (1/4 x 1/2 x 5/32")	1	1
8		1018733	Link	1	1
9		1006490	Tip, Black	1	1
10		1038344	Handle, Hill Holder - Right	1	1
10		1038345	Handle, Hill Holder - Left	1	1
11		1028416	Link, Wheel Lock	1	1
12	A	1029420	Shoe, Wheel Lock	1	1
13		1055304	Screw, Button Head Socket (1/4-28 x 5/8")	1	2
14		1059284	Screw, Button Head Socket (1/4-28 x 1-1/4")	1	1
15		1026108	Lockwasher (1/4 x 15/32 x 1/64")	1	1
16		1029423	Wheel Lock Assembly - Right	1	1
16		1029424	Wheel Lock Assembly - Left	1	1
17		1027268	Screw, Allen Head (1/4-20 x 1")	1	1
18	B	1038114	Clamp, Wheel Lock (Non-Threaded) (7/8")	1	1
18	B	1038113	Clamp, Wheel Lock (Threaded) (7/8")	1	1
18	B	1026097	Clamp, Wheel Lock, Non-Threaded (1")	1	1
18	B	1026096	Clamp, Wheel Lock, Threaded (1")	1	1

NOTE: A - Order Part # 1063507 (Wheel Lock Shoe Kit) for all Chairs Made Before 10/25/96.
 B - Wheel Locks can be mounted either on the seat rails or the (frame-FACTORY SET ORIGINALLY). Frames use the 7/8" clamp and seat rails use the 1" clamp.

High Mount Wheel Lock

Pull to Lock

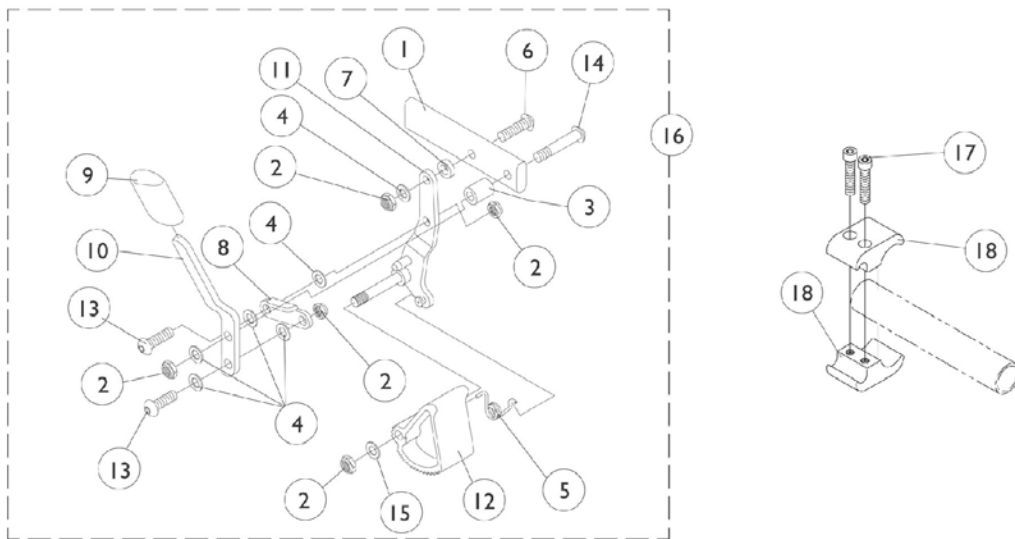


High Mount Wheel Lock Pull to Lock

Item Number	Note	Part Number	Description	Quantity Per	
				Package	Assembly
1	A	1028399	Strap, Wheel Lock	1	1
1	B	1028397	Strap, Wheel Lock	1	1
2		7930334	Locknut (1/4-28)	1	4
3		1020363	Spacer (1/4 x 1/2 x 1/2")	1	1
4		1026103	Washer, Nylon (1/4 x 1/2 x 1/32")	1	5
5		1055346	Screw, Hex Head Cap (1/4-28 x 3/4")	1	1
6		1055305	Screw, Button Head Socket Cap (1/4-28 x 3/4")	1	2
7		1028411	Spacer (1/4 x 1/2 x 5/32")	1	1
8		1018733	Link	1	1
9		1006490	Tip, Black	1	2
10		1031780	Handle, Pull/Lock (Black) - Right	1	1
10		1031781	Handle, Pull/Lock (Black) - Left	1	1
11		1028416	Link, Wheel Lock	1	1
12		1029420	Shoe, Wheel Lock	1	1
13		1055304	Screw, Button Head Socket (1/4-28 x 5/8")	1	1
14		1059284	Screw, Button Head Socket (1/4-28 x 1-1/4")	1	1
15		1026108	Lockwasher (1/4 x 15/32 x 1/64")	1	2
16		1026907	Washer (1/4 x 1/2 x 1/16")	1	1
17		1027268	Screw, Allen Head (1/4-20 x 1")	1	1
18	C	1038114	Clamp, Wheel Lock (Non-Threaded) (7/8")	1	1
18	C	1038113	Clamp, Wheel Lock (Threaded) (7/8")	1	1
18	C	1026097	Clamp, Wheel Lock, Non-Threaded (1")	1	1
18	C	1026096	Clamp, Wheel Lock, Threaded (1")	1	1
19		1038552	Wheel Lock Assembly -Right	1	1
19		1038553	Wheel Lock Assembly -Left	1	1

NOTE: A - Swingaway Frames
 B - Rigid Frames
 C - Wheel Locks can be mounted either on the seat rails or the (frame-FACTORY SET ORIGINALLY). Frames use the 7/8" clamp and seat rails use the 1" clamp.

High Mount Wheel Lock with Hill Holder

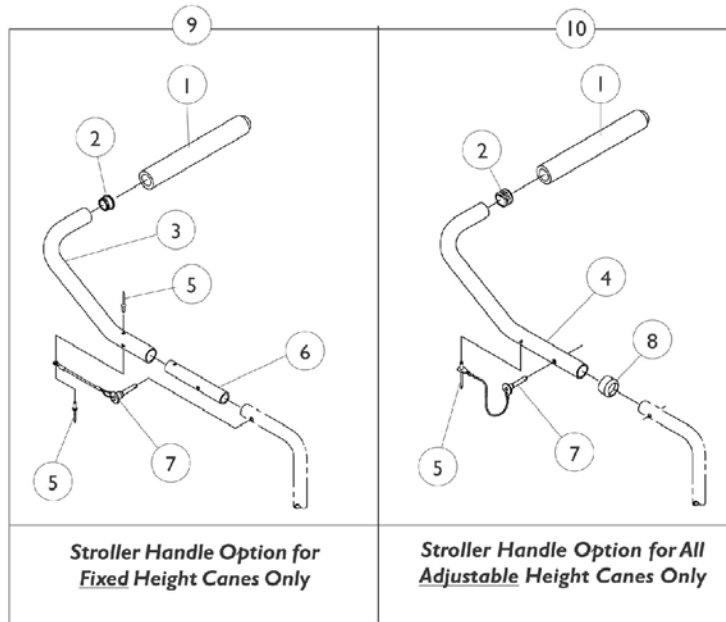


High Mount Wheel Lock with Hill Holder

Item Number	Note	Part Number	Description	Quantity Per	
				Package	Assembly
1		1028399	Strap, Wheel Lock	1	1
2		1025765	Locknut (1/4-28)	1	5
3		1020363	Spacer (1/4 x 1/2 x 1/2")	1	1
4		1026103	Washer, Nylon (1/4 x 1/2 x 1/32")	1	6
5		1016650	Spring Torsion - Right	1	1
5		1016651	Spring Torsion - Left	1	1
6		1055306	Screw, Button Head Cap (1/4-28 x 7/8")	1	1
7		1028411	Spacer (1/4 x 1/2 x 5/32")	1	1
8		1018727	Link, Stop	1	1
9		1006490	Tip, Black	1	1
10		1038344	Handle, Hill Holder - Right	1	1
10		1038345	Handle, Hill Holder - Left	1	1
11		1026829	Bracket - Right	1	1
11		1026830	Bracket - Left	1	1
12		1015857	Shoe	1	1
13		1055304	Screw, Button Head Socket (1/4-28 x 5/8")	1	2
14		1059284	Screw, Button Head Socket (1/4-28 x 1-1/4")	1	1
15		1013971	Washer, Nylon (1/4 x 7/16 x 5/64")	1	1
16		1039323	Hill Holder Wheel Lock Assembly -Right	1	1
16		1039324	Hill Holder Wheel Lock Assembly -Left	1	1
17		1027268	Screw, Allen Head (1/4-20 x 1")	1	1
18	A	1038114	Clamp, Wheel Lock (Non-Threaded) (7/8")	1	1
18	A	1038113	Clamp, Wheel Lock (Threaded) (7/8")	1	1
18	A	1026097	Clamp, Wheel Lock, Non-Threaded (1")	1	1
18	A	1026096	Clamp, Wheel Lock, Threaded (1")	1	1

NOTE: A - Wheel Locks can be mounted either on the seat rails or the (frame-FACTORY SET ORIGINALLY). Frames use the 7/8" clamp and seat rails use the 1" clamp.

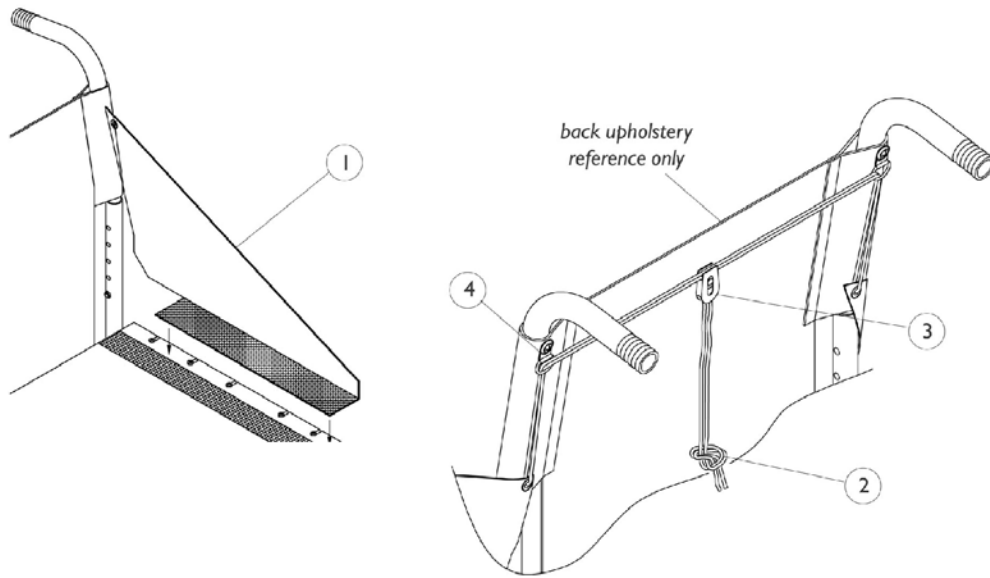
Stroller Handles



Item Number	Note	Part Number	Description	Quantity Per	
				Package	Assembly
1		1133698	Grip, Foam Hand (9" Long)	1	1
2		1056328	Plug Button (1")	1	1
3	A	1061996	Handle, Stroller -Right	1	1
3	A	1061997	Handle, Stroller -Left	1	1
4	B	1043722	Handle, Stroller - Right	1	1
4	B	1043723	Handle, Stroller - Left	1	1
5		16348X000	Rivet (3/16 x 7/16")	1	2
6		1061993	Tube, Insert	1	1
7		1045470	Pin, Quick Release with Lanyard	1	1
8		15680X013	Anti-Rattle (1")	1	1
9	A,C	1062566	Stroller Handle Assembly	1	1
10	B,D	1044714	Stroller Handle Assembly	1	1

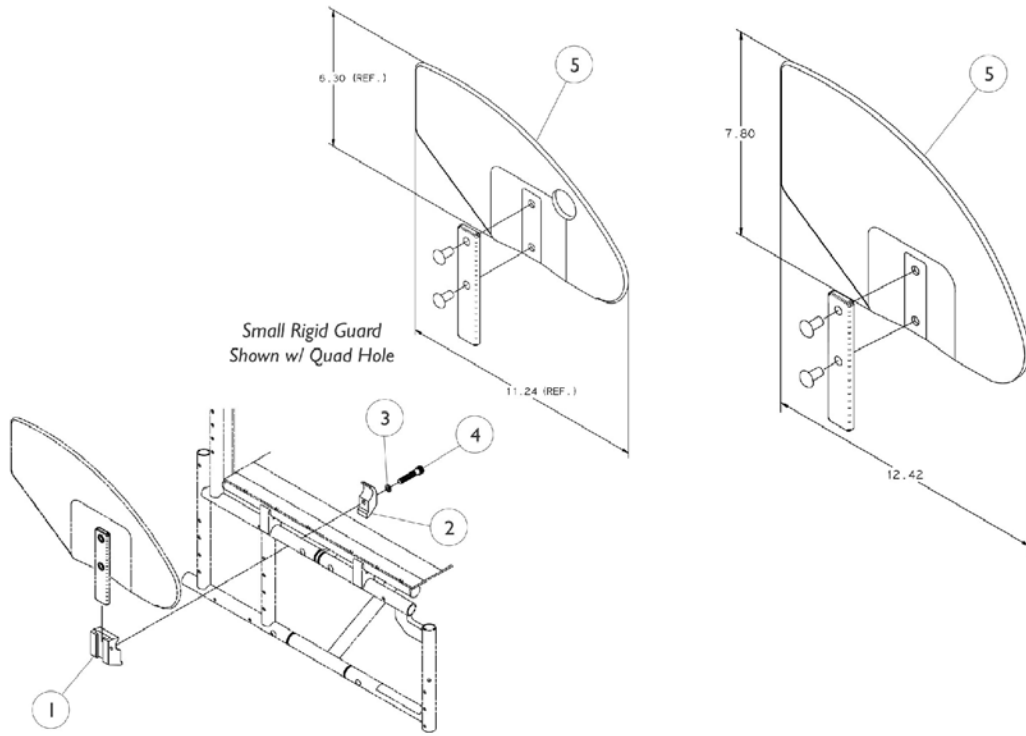
NOTE: A - Used with Fixed Height Back Canes
 B - Used with Adjustable Height Back Canes
 C - Includes items 1-3,5-7
 D - Includes items 1,2,4,5,7,8

Fabric Clothing Protectors



Item Number	Note	Part Number	Description	Quantity Per	
				Package	Assembly
1	A	1028446	Clothing Protector, Fabric -Right	1	1
1	A	1028447	Clothing Protector, Fabric -Left	1	1
1	B	8881028448	Clothing Protector, Fabric - Right	1	1
1	B	8881028449	Clothing Protector, Fabric - Left	1	1
1	C	1028450	Clothing Protector, Fabric - Right	1	1
1	C	1028451	Clothing Protector, Fabric - Left	1	1
2		1141633	Cord, Nylon (6-1/2 Feet)	1	1
3		1029412	Cord Lock	1	1
4		1029407	"D" Ring	1	2
NOTE: A - 12-13" Deep B - 14-15" Deep C - 16-18" Deep					

Rigid Side Guard



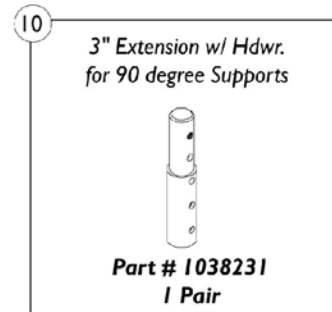
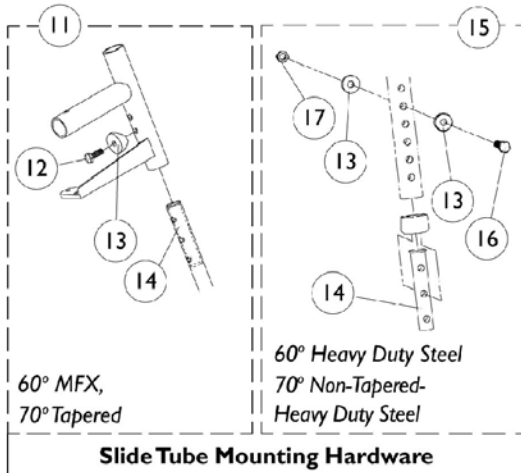
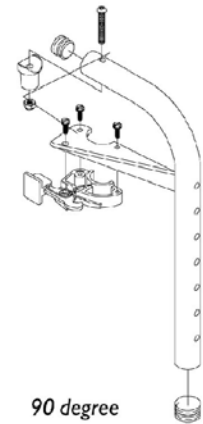
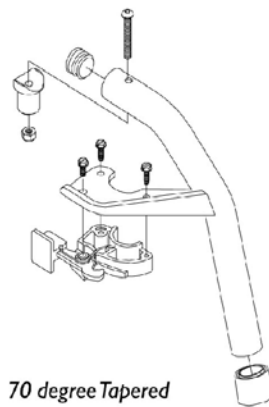
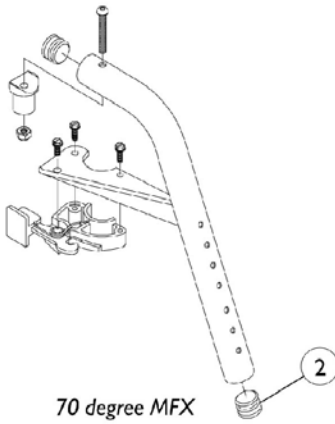
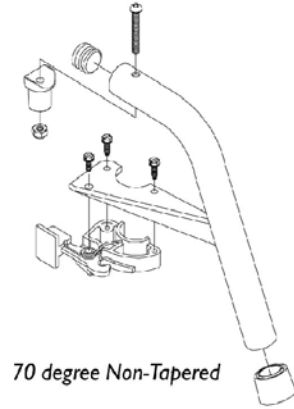
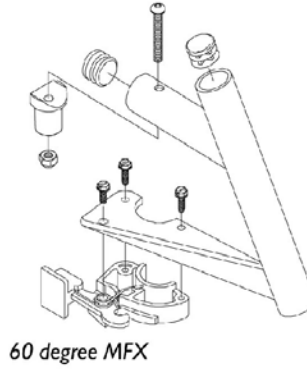
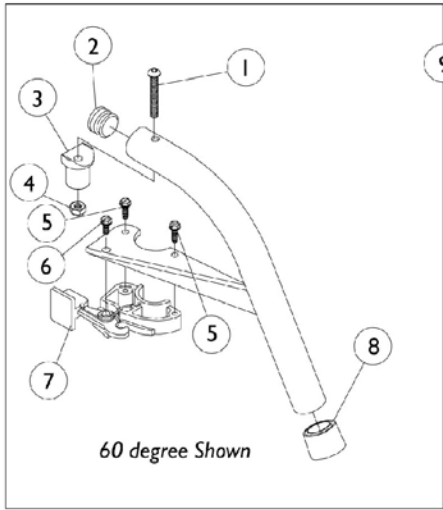
Rigid Side Guard

Item Number	Note	Part Number	Description	Quantity Per	
				Package	Assembly
1		1032249	Clamp, Half (Threaded)	1	2
2		1018692	Clamp, Half (Non-Threaded)	1	2
3		1013971	Washer, Nylon (1/4 x 7/16 x 5/64")	1	2
4		1003545	Screw, Socket Head (1/4-20 x 1-1/4")	1	2
5		1036346	Side Guard, Small w/o Quad Hole - Right (6-1/4" H x 11-1/4" D)	1	1
5		1036347	Side Guard, Small w/o Quad Hole - Left (6-1/4" H x 11-1/4" D)	1	1
5		1036407	Side Guard, Small w/ Quad Hole - Right (6-1/4" H x 11-1/4" D)	1	1
5		1036408	Side Guard, Small w/ Quad Hole - Left (6-1/4" H x 11-1/4" D)	1	1
5		1036344	Side Guard, Large w/o Quad Hole - Right (7-3/4" H x 12-3/8" D)	1	1
5		1036345	Side Guard, Large w/o Quad Hole - Left (7-3/4" H x 12-3/8" D)	1	1
5		1036405	Side Guard, Large w/ Quad Hole - Right (7-3/4" H x 12-3/8" D)	1	1
5		1036406	Side Guard, Large w/ Quad Hole - Left (7-3/4" H x 12-3/8" D)	1	1
5	A,B	1036342	Kit, Side Guard Hardware	2	1

NOTE: A - Includes Items 1-4.
B - Not Shown

Footrest Support Assemblies

Swingaway 60 Degree, 70 Degree, and 90 Degree



Footrest Support Assemblies

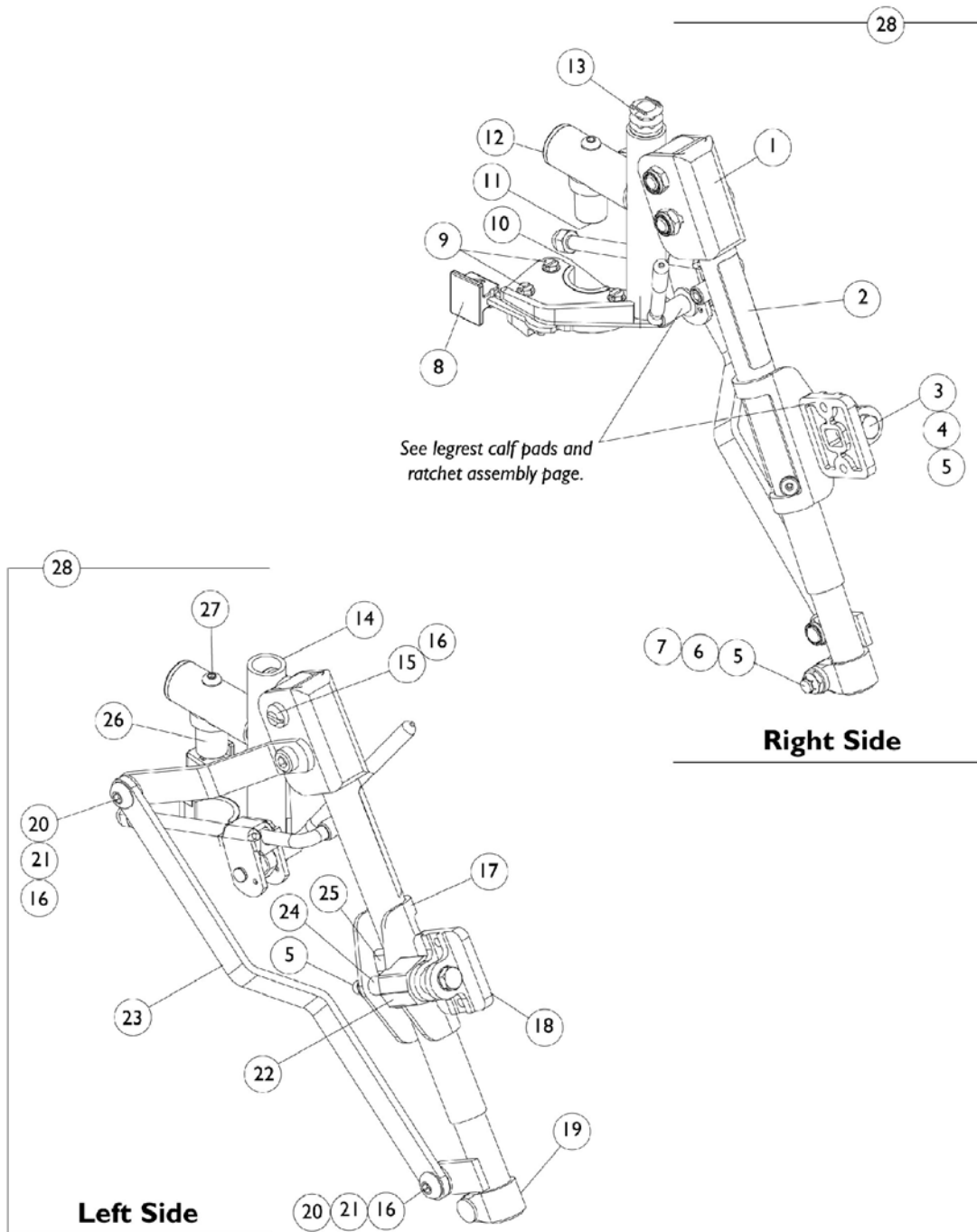
Swingaway 60 Degree, 70 Degree, and 90 Degree

Item Number	Note	Part Number	Description	Quantity Per	
				Package	Assembly
1		7930321	Screw, Socket Button Head (1/4-20 x 1-7/8")	25	1
2		1029501	Plug Button, Black (1")	1	1
3		1017148	Plug, Pivot	1	1
4		7930333	Locknut (1/4-20)	25	1
5		1025451	Screw, Hex Head (#10-32 x 5/8")	1	2
6		7930314	Screw, Slotted Hex Head (#10-32 x 1/2")	25	1
7		1025454	Latch Housing - Right	1	1
7		1025455	Latch Housing - Left	1	1
8		1026124	Anti-Rattle Collar	1	1
9	A	8881026992	Footrest Support Assembly, 60° - Right	1	1
9	A	8881026993	Footrest Support Assembly, 60° - Left	1	1
9	A	8881026998	Footrest Support Assembly, 60° MFX - Right	1	1
9	A	8881026999	Footrest Support Assembly, 60° MFX - Left	1	1
9	A	8881053158	Footrest Support Assembly, 60° Heavy Duty - Right	1	1
9	A	8881053157	Footrest Support Assembly, 60° Heavy Duty - Left	1	1
9	A	8881026994	Footrest Support Assembly, 70° Non Tapered - Right	1	1
9	A	8881026995	Footrest Support Assembly, 70° Non Tapered - Left	1	1
9	A	8881026996	Footrest Support Assembly, 70° Tapered - Right	1	1
9	A	8881026997	Footrest Support Assembly, 70° Tapered - Left	1	1
9	A	8881047481	Footrest Support Assembly, 70° MFX - Right	1	1
9	A	8881047480	Footrest Support Assembly, 70° MFX - Left	1	1
9	A	8881053149	Footrest Support Assembly, 70° Non-Tapered, Heavy Duty - Right	1	1
9	A	8881053148	Footrest Support Assembly, 70° Non-Tapered Heavy Duty - Left	1	1
9	A	8881062596	Footrest Support Assembly, 90° - Right	1	1
9	A	8881062597	Footrest Support Assembly, 90° - Left	1	1
10	A	8881038231	Kit, 3" Extension w/ Hardware	2	1
11		1026703	Kit, Pivot/Slide Tube Mounting Hardware	2	1
12		1045267	Screw, Hex Head (1/4-20 x 3/4")	1	1
13		1026099	Spacer, Coved (1/4 x 11/16 x 1/2")	1	2
14		1020534	Insert, Threaded	1	1
15		1074143	Kit, Slide Tube Mounting Hardware	1	1
16		1070759	Screw, Hex Head Cap (1/4-20 x 1-1/2")	1	1
17		7930338	Nut, Acorn (1/4-20)	1	1

NOTE: A - Specify frame color when ordering.

Articulating Legrests (ATL4A)

1082540 - Right, 1082541 - Left



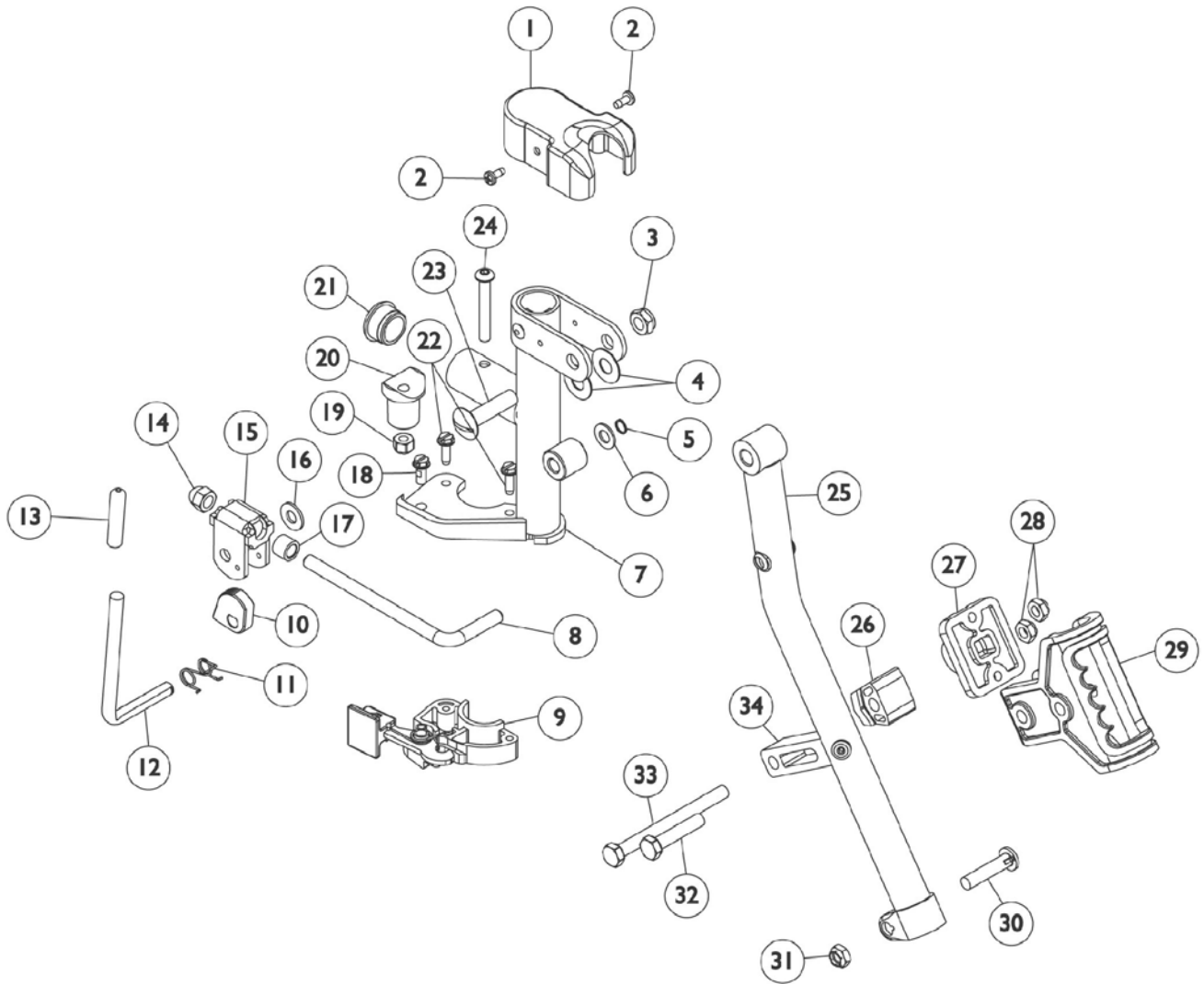
Articulating Legrests (ATL4A)

1082540 - Right, 1082541 - Left

Item Number	Note	Part Number	Description	Quantity Per	
				Package	Assembly
1		1022877	Tube Support and Drive Link - Right	1	1
1		1022878	Tube Support and Drive Link - Left	1	1
2		1024911	Decal, Smartleg	1	1
3		1014807	Screw, Hex Head (5/16-24 x 3-1/4")	1	1
4		47330X003	Spacer (5/16 x 1/2 x 3/8")	1	1
5		7930363	Pkg, Locknut (5/16"-24)	25	2
6		1027377	Washer (#20)	1	1
7		11232X009	Screw, Lug (5/16-24 x 1-3/8")	1	1
8		1025454	Latch Housing - Right	1	1
8		1025455	Latch Housing - Left	1	1
9		1025451	Screw, Hex Head (#10-32 x 5/8")	1	2
10		7930314	Screw, Slotted Hex Head (#10-32 x 1/2")	25	1
11		7930333	Locknut (1/4-20)	25	1
12		1029501	Plug Button, Black (1")	1	1
13		1027097	Plug Button, Black (3/4")	1	1
14		1082538	Articulating Legrest Support - Right	1	1
14		1082539	Articulating Legrest Support - Left	1	1
15		1022854	Screw, Slotted Head Shoulder (1/2 x 1-1/8")	1	1
16		40363X000	Hex Nut (3/8"-16)	1	3
17		1025104	Bracket, Legrest (Chrome)	1	1
18		04526X019	Plate, Legrest Pad	1	1
19		1022848	Slide Tube, Articulating (Chrome) - Right	1	1
19		1022849	Slide Tube, Articulating (Chrome) - Left	1	1
20		1022866	Screw, Socket Button Head (3/8-16 x 3/4")	1	2
21		1049527	Washer, Nylon (3/8 x 3/4 x 1/16")	1	2
22		1025133	Spacer, Legrest Pad	1	1
23		1022846	Bar, Link	1	1
24		47328X003	Bushing, Pivot (5/16 x 7/16 x 7/8")	1	1
25		48823X008	Spring	1	1
26		1017148	Plug, Pivot	1	1
27		7930301	Pkg, Button Head Cap Screw (1/4-20 x 1-3/4")	25	1
28	A	1082540	Articulating Legrest Support Assembly - Right	1	1
28	A	1082541	Articulating Legrest Support Assembly - Left	1	1

NOTE: A - Includes Items 1-27

Legrest Support - AT5044



Legrest Support - AT5044

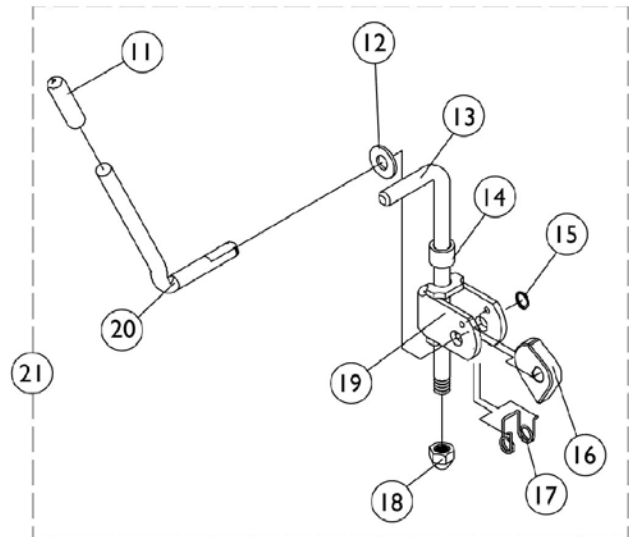
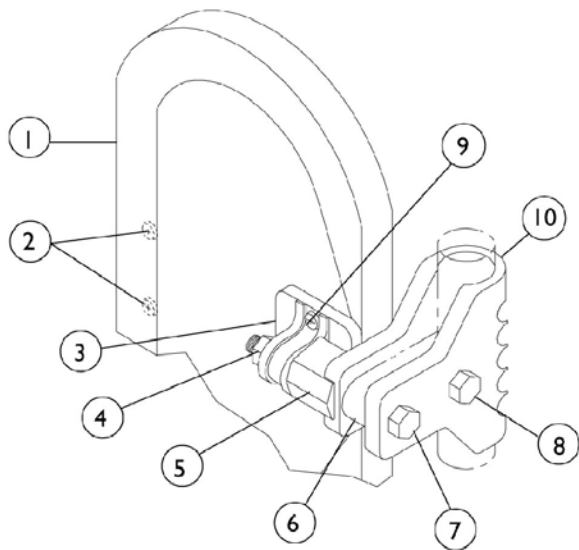
Item Number	Note	Part Number	Description	Quantity Per	
				Package	Assembly
1		1017187	Cover, Top	1	1
2		1025729	Screw, Self Tapping Pan Head (#8-32 x 3/8")	1	2
3		40363X000	Hex Nut (3/8"-16)	1	1
4		1058636	Washer, Nylon (25/64 x 7/8 x 1/32")	1	2
5		1040831	Snap Ring	1	1
6		1025704	Washer, Flat (5/16 x 5/8 x 1/16")	1	1
7	F	8881065812	Bracket, Legrest Support - Right	1	1
7	F	8881065813	Bracket, Legrest Support - Left	1	1
8		1113030	Bar, Ratchet	1	1
9		1025454	Latch Housing - Right	1	1
9		1025455	Latch Housing - Left	1	1
10		1037125	Cam, Legrest	1	1
11		1037485	Spring, Release	1	1
12		1065802	Handle, Release	1	1
13		1040060	Tip	1	1
14		10261X000	Acorn Nut (5/16"-24)	1	1
15		04528X002	Bracket, Release (Chrome)	1	1
16		1013519	Washer, Nylon (5/16 x 11/16 x 1/16")	1	1
17		47330X003	Spacer (5/16 x 1/2 x 3/8")	1	1
18		1017423	Screw, Hex Head (#10-32 x 1/2")	1	1
19		1025736	Locknut (1/4-20)	1	1
20		1017148	Plug, Pivot	1	1
21		1056328	Plug Button (1")	1	1
22		1025451	Screw, Hex Head (#10-32 x 5/8")	1	2
23		11919X000	Screw, Truss Head (3/8-16 x 1-1/2")	1	1
24		1001762	Screw, Socket Button Head (1/4-20 x 1-3/4")	1	1
25	C	1043556	Tube, Elevating Support (Black) - Right	1	1
25	C	1043557	Tube, Elevating Support (Black) - Left	1	1
26		1025133	Spacer, Legrest Pad	1	1
27		04526X019	Plate, Legrest Pad	1	1
28		1025730	Locknut (5/16-24)	1	3
29		1032266	Bracket, Legrest Pad Mounting	1	1
30		1026030	Screw, Lug (5/16-24 x 1-3/8")	1	1
32		1028514	Screw, Hex Head (5/16-24 x 1-1/2")	1	1
33		1037110	Screw, Hex Head (5/16-24 x 3-1/2")	1	1
34		1032267	Spacer, Legrest Pad Mounting	1	1
	B,D,E	8881065806	Legrest Support Assembly - Right	1	1
	B,D,E	8881065807	Legrest Support Assembly - Left	1	1
	A,C,E	8881065804	Legrest Support Assembly - Right	1	1
	A,C,E	8881065805	Legrest Support Assembly - Left	1	1

Legrest Support - AT5044

NOTE: A - Includes Items 1-34 with Calf Pad.
B - 12-20" Wide Chairs
C - 22" Wide Chairs
D - Includes items 1-16 and 18-34.
E - Not Shown.
F - Specify frame finish when ordering

See Calf Pad and Ratchet Assembly sections for their prospective part numbers.

Legrest Calf Pads and Ratchet Assembly

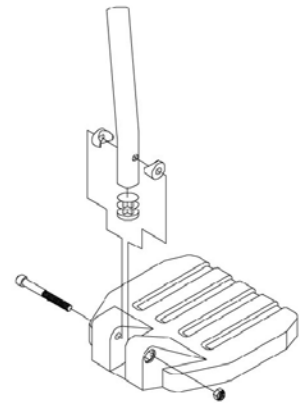
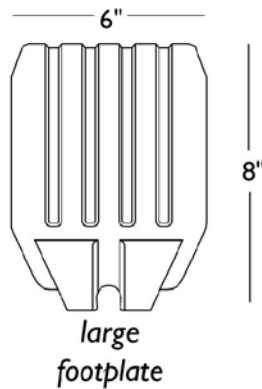
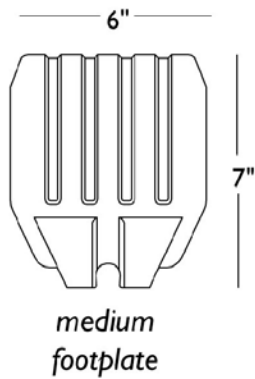
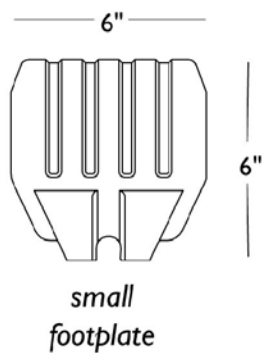


Legrest Calf Pads and Ratchet Assembly

Item Number	Note	Part Number	Description	Quantity Per	
				Package	Assembly
1	A,B,G	8881091759	Pad w/Cover and Screws, Legrest Vinyl	2	1
1	A,C,G	8881091764	Pad, Legrest Vinyl - Right/Left	1	1
1		01415X000-NLA	Cover, Legrest Pad	1	1
1	A,H	88804529X003	Pad, Legrest Vinyl - Right	1	1
1	A,H	88804529X004	Pad, Legrest Vinyl - Left	1	1
2		40163X006	Screw, Phillips Head (#10-14 x 1/16")	1	1
3		04526X019	Plate, Legrest Pad	1	1
4		7930330	Locknut (5/16-24)	25	1
5		1025133	Spacer, Legrest Pad	1	1
6		1032267	Spacer, Legrest Pad Mounting	1	1
7		1037110	Screw, Hex Head (5/16-24 x 3-1/2")	1	1
8		1028514	Screw, Hex Head (5/16-24 x 1-1/2")	1	1
9		1066591	Screws, Phillips Head (#10-32 x 11/16")	1	1
10		1032266	Bracket, Legrest Pad Mounting	1	1
11		1040060	Tip	1	1
12		7930310	Washer, Nylon (5/16 x 11/16 x 1/16")	25	1
13	E	42326X004	Bar, Ratchet - Right/Left	1	1
13	F	42326X001	Bar, Ratchet	1	1
14		47330X003	Spacer (5/16 x 1/2 x 3/8")	1	2
15		1040831	Snap Ring	1	1
16		1037125	Cam, Legrest	1	1
17		1037485	Spring, Release	1	1
18		7930336	Nut, Acorn (5/16-24)	25	1
19		04528X002	Bracket, Release (Chrome)	1	1
20		1037126	Handle, Release	1	1
21	E	1023812	Bar, Ratchet - Left	2	1
21	F	1096974	Kit, Ratchet Elevating Legrest	2	1
	D,E	1042798	Instruction Sheet, Ratchet Kit	1	1
	D,F	1096943	Instruction Sheet, Ratchet Kit	1	1

NOTE: A - Specify U67 upholstery color when ordering.
 B - Before 9/00
 C - After 8/00
 D - Not Shown
 E - ATL4A
 F - AT5044
 G - 16-22" Wide
 H - 14-15" Wide

Composite Footplate (1651) and Pivot Tube Assemblies (Less Heel Loops)



Composite Footplate (1651) and Pivot Tube Assemblies (Less Heel Loops)

**60 Degree
13-19"
Curved End**

Right/Left	Small Long 14"	Small 2" Longer 14"	Medium Long 15"-16"	Medium 2" Longer 15"-16"	Large Long 17"-22"	Large 2" Longer 17"-22"
Right	1028391	1032627	1028387	1032625	1028383	1032623
Left	1028392	1032628	1028388	1032626	1028384	1032624

**60 Degree MFX
9-3/4-14"
Curved End**

Right/Left	Small Short 14"	Medium Short 15"-16"	Large Short 17"-22"
Right	1028389	1028385	1028381
Left	1028390	1028386	1028382

**70 Degree
14-19"
Straight**

Right/Left	Small Short 14"	Small 2" Longer 14"	Medium Short 15"-16"	Medium 2" Longer 15"-16"	Large Short 17"-22"	Large 2" Longer 17"-22"
Right	1042784	1042790	1042786	1042792	1042788	1042794
Left	1042785	1042791	1042787	1042793	1042789	1042795

Composite Footplate (1651) and Pivot Tube Assemblies (Less Heel Loops)

70 Degree Tapered

14-1/2-19-1/2"

Straight

Right/Left	Small Short 16"-17"	Small 2" Longer 16"-17"	Medium Short 18"-19"	Medium 2" Longer 18"-19"	Large Short 20"-22"	Large 2" Longer 20"-22"
Right	1042784	1042790	1042786	1042792	1042788	1042794
Left	1042785	1042791	1042787	1042793	1042789	1042795

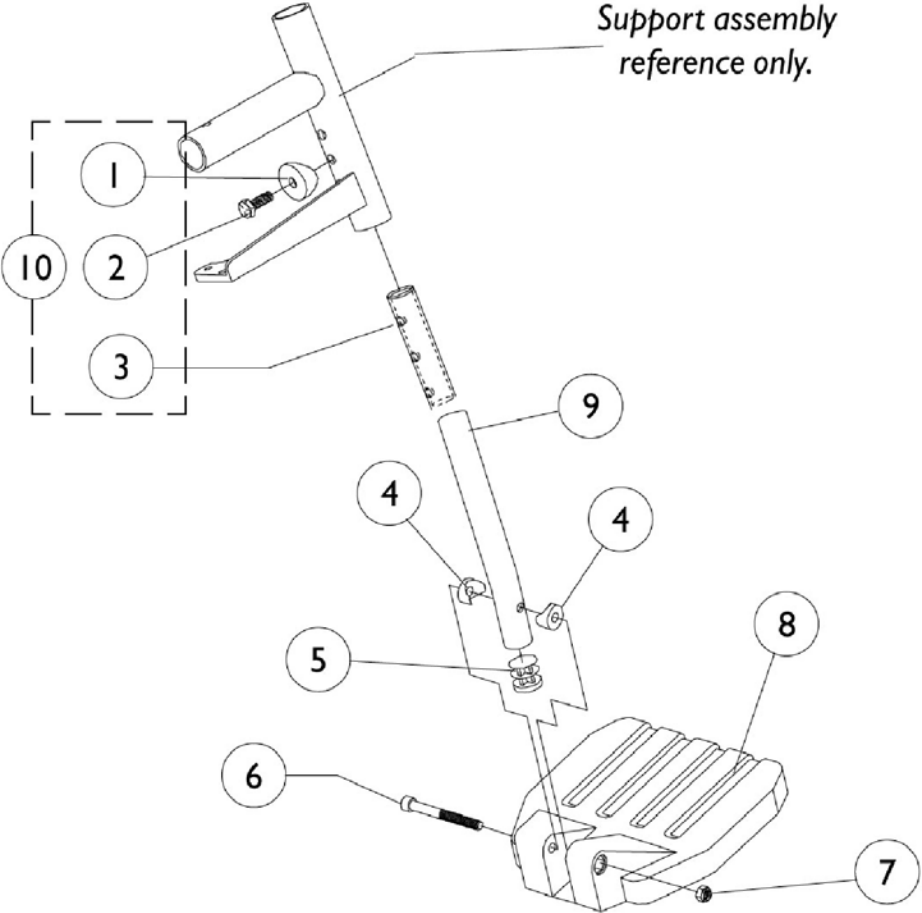
Elevating Legrest

16-20"

Curved End

Right/Left	Small Long 14"	Small 2" Longer 14"	Medium Long 15"-16"	Medium 2" Longer 15"-16"	Large Long 17"-22"	Large 2" Longer 17"-22"
Right	1028391	1032627	1028387	1032625	1028383	1032623
Left	1028392	1032628	1028388	1032626	1028384	1032624

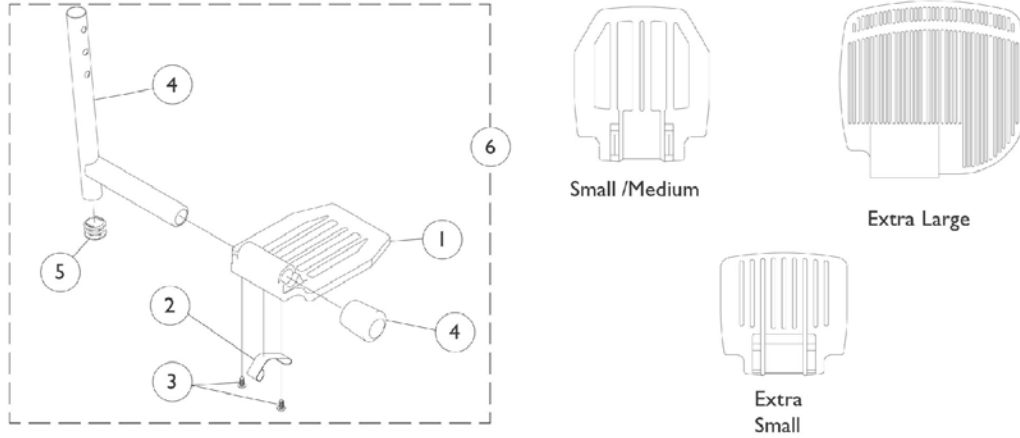
Footplate, Pivot Tube and Hardware - 1651 Composite



Footplate, Pivot Tube and Hardware - 1651 Composite

Item Number	Note	Part Number	Description	Quantity Per	
				Package	Assembly
1		1026099	Spacer, Coved (1/4 x 11/16 x 1/2")	1	1
2		1045267	Screw, Hex Head (1/4-20 x 3/4")	1	1
3		1020534	Insert, Threaded	1	1
4		1025457	Spacer, Coved (1/4 x 3/4 x 11/32")	1	2
5		1027097	Plug Button, Black (3/4")	1	1
6		7930366	Screw, Socket Head Cap (1/4-20 x 2-1/4")	1	1
7		7930323	Pkg, Locknut (1/4-20)	1	1
8		1026879	Footplate, Composite - Small (6" W x 6" L)	1	1
8		1026880	Footplate, Composite - Medium (7" W x 6" L)	1	1
8		1026881	Footplate, Composite - Large (8" W x 6" L)	1	1
9		1120383	Pivot Slide Tube, Curved End - Short (8-1/4" Long)	1	1
9		1120382	Pivot Slide Tube, Curved End - Long (9-7/8" Long)	1	1
9		1120386	Pivot Slide Tube, Curved - 2" Longer (11-7/8" Long)	1	1
9		1120384	Pivot Slide Tube, Straight - Alum. (9-7/8" Long)	1	1
9		1120385	Pivot Slide Tube, Straight - 2" Longer (11-7/8" Long)	1	1
9		1061967	Pivot Slide Tube, Straight (5-1/2" Long)	1	1
10		1026703	Kit, Pivot/Slide Tube Mounting Hardware	1	1

Footplate, Pivot Tube and Hardware - A1562/A1564 Aluminum



Item Number	Note	Part Number	Description	Quantity Per	
				Package	Assembly
1		44200X032	Footplate, Aluminum - Extra Small (5-3/4" W x 6" L)	1	1
1		44200X059	Footplate, Aluminum - Small (6-3/4" W x 6" L)	1	1
1		44200X027	Footplate, Aluminum - Medium (7-3/4" W x 6" L)	1	1
1		44200X025	Footplate, Aluminum - Extra Large (8" W x 8-1/2" L) - Right	1	1
1		44200X026	Footplate, Aluminum - Extra Large (8" W x 8-1/2" L) - Left	1	1
2		1006981	Spring	1	1
2		1036123	Spring	1	1
3		1025729	Screw, Self Tapping Pan Head (#8-32 x 3/8")	1	2
4		1048834	Pivot/Slide Tube with Plug Button	1	1
5		1027097	Plug Button, Black (3/4")	1	1
6		See Chart	#6 Pivot Slide Tube with Footplate	1	1

#6 Pivot Slide Tube with Footplate

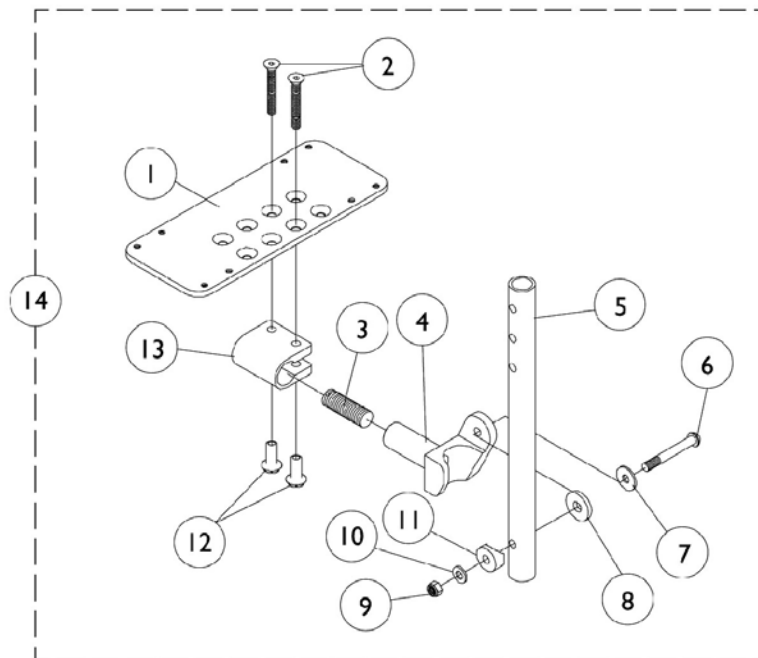
Footplate Size	Chair Width	Standard Right	Standard Left	2" Longer Right	2" Longer Left	4" Longer Right	4" Longer Left
X-Small	12-13"	1026398	1026399	N/A	N/A	N/A	N/A
Small	14-15"	1041542	1041543	N/A	N/A	N/A	N/A

Footplate, Pivot Tube and Hardware - A1562/A1564 Aluminum

#6 Pivot Slide Tube with Footplate

Footplate Size	Chair Width	Standard Right	Standard Left	2" Longer Right	2" Longer Left	4" Longer Right	4" Longer Left
Medium	16-20"	1026401	1026402	N/A	N/A	N/A	N/A
X-Large	16-20"	1026395	1026396	1086515	1086517	1086516	1086518

Adjustable Angle Footplate with Pivot Tube - AT5543



Adjustable Angle Footplate with Pivot Tube - AT5543

Item Number	Note	Part Number	Description	Quantity Per	
				Package	Assembly
1		1060425	Footplate, Adjustable Angle - Small (3-1/4" Wide x 8" Long)	1	1
1		1060426	Footplate, Adjustable Angle - Medium (4-1/4" W x 8" L)	1	1
1		1060427	Footplate, Adjustable Angle - Large (5-1/4" W x 8" L)	1	1
1		1062569	Footplate, Adjustable Angle - X-Large (6-1/4" W x 8" L)	1	1
2	A	1029545	Screw, Socket Head Cap (1/4-20 x 3/4")	1	2
3		1048816	Screw, Nylon Adjustment (1/2-13 x 7/8")	1	1
4		1052102	Hinge, Footplate - Right	1	1
4		1052103	Hinge, Footplate - Left	1	1
5		1120384	Pivot Slide Tube, Straight - Alum. (9-7/8" Long)	1	1
5		1120385	Pivot Slide Tube, Straight - 2" Longer (11-7/8" Long)	1	1
6		7930321	Screw, Socket Button Head (1/4-20 x 1-7/8")	25	1
7		1026900	Washer (1/4 x 23/32 x 1/16")	1	1
8		7930313	Washer, Nylon (5/16 x 7/8 x 1/8")	25	1
9		7930333	Locknut (1/4-20)	25	1
10		1026907	Washer (1/4 x 1/2 x 1/16")	1	1
11		1025457	Spacer, Coved (1/4 x 3/4 x 11/32")	1	1
12	A	1082686	Nut, Hex Head (1/4-20 x 11/16")	1	2
13	A	1058517	Clamp, Footplate	1	1
14		See Chart	#14 60 Degree, 60 Degree MFX, 70 Degree Non-Tapered, & ELR's	1	1
14		See Chart	#14 70 Degree	1	1
14		See Chart	#14 70 Degree Tapered	1	1
14		See Chart	#14 90 Degree and 70 Degree MFX	1	1

NOTE: A - Due to a hardware change, for chairs built Before 8/99 items 2, 12, and 13 must be ordered together.

#14 60 Degree, 60 Degree MFX, 70 Degree Non-Tapered, & ELR's

Straight Slide Tube (9-7/8")	Right	Left
12-13" Wide (4-1/4" Footplate)	1060430	1060431
14-15" Wide (5-1/4" Footplate)	1060432	1060433
16-20" Wide (6-1/4" Footplate)	1062572	1062573
18-20" Wide (7-1/4" Footplate)	1068620	1068621

Adjustable Angle Footplate with Pivot Tube - AT5543

#14 70 Degree

ALPT Straight Pivot Tube (11-7/8")	Right	Left
12-13" Wide (4-1/4" Footplate)	1062576	1062577
14-15" Wide (5-1/4" Footplate)	1060440	1060441
16-17" Wide (6-1/4" Footplate)	1062578	1062579
18-20" Wide (7-1/4" Footplate)	1068622	1068623

#14 70 Degree Tapered

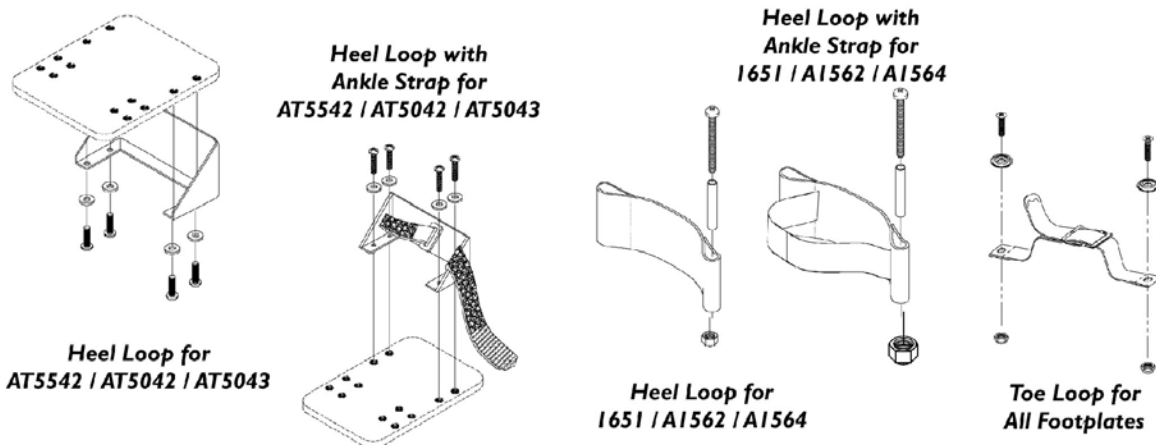
Straight Pivot Tube (9-7/8")	Right	Left
16" Wide (4-1/4" Footplate)	1060430	1060431
17-18" Wide (5-1/4" Footplate)	1060432	1060433
19-20" Wide (6-1/4" Footplate)	1062572	1062573
ALPT Straight Pivot Tube (11-7/8")	Right	Left
16" Wide (4-1/4" Footplate)	1062576	1062577
17-18" Wide (5-1/4" Footplate)	1060440	1060441
19-20" Wide (6-1/4" Footplate)	1062578	1062579

Adjustable Angle Footplate with Pivot Tube - AT5543

#14 90 Degree and 70 Degree MFX

No Pivot Tube Bolts Through Support	Right	Left
12-13" Wide (4-1/4" Footplate)	1060436	1060437
14-15" Wide (5-1/4" Footplate)	1060438	1060439
16-20" Wide (6-1/4" Footplate)	1062570	1062571
18-20" Wide (7-1/4" Footplate)	1068618	1068619

Heel Loops and Toe Loops



1651 Composite

Footplate Size	Heel Loop Single #	Heel Loop Pair #	Heel Loop w/ Ankle Strap Single # - Right	Heel Loop w/ Ankle Strap Single # - Left	Heel Loop w/ Ankle Strap Pair #	Attaching Hardware Pair #
Small	1025234	1035905	1035908	1035909	1035906	1035931
Medium	1017621	1035917	1035919	1035920	1035918	1035931
Large	1027000	1035929	1035932	1035933	1035930	1035931

Heel Loops and Toe Loops

A1562 Aluminum

Footplate Size	Heel Loop Single #	Heel Loop Pair #	Heel Loop w/ Ankle Strap Single # - Right	Heel Loop w/ Ankle Strap Single # - Left	Heel Loop w/ Ankle Strap Pair #	Attaching Hardware Pair #
Small (Jr. Only)	1025234	1035905	1035908	1035909	1035906	1035931
Medium	1017621	1035917	1035919	1035920	1035918	1035931
Large	1027000	1035929	1035932	1035933	1035930	1035931

A1564 Extra Large

Footplate Size	Heel Loop Single #	Heel Loop Pair #	Heel Loop w/ Ankle Strap Single # - Right	Heel Loop w/ Ankle Strap Single # - Left	Heel Loop w/ Ankle Strap Pair #	Attaching Hardware Pair #
Large	1027000	1035929	1035932	1035933	1035930	1035931

Adjustable Angle 5542 and AT5543

Footplate Size	Heel Loop Single #	Heel Loop Pair #	Heel Loop w/ Ankle Strap Single # - Right	Heel Loop w/ Ankle Strap Single # - Left	Heel Loop w/ Ankle Strap Pair #	Attaching Hardware Pair #
3-1/4" Wide Footplate	1018269	1036099	1036097	1036097	1036102	1036096
4-1/4" Wide Footplate	1018270	1036100	1027182	1027182	1036103	1036096
5 & 6-1/4" Wide Footplate	1030958	1036101	1036098	1036098	1036104	1036096
7-1/4" Wide Footplate	1069037	N/A	1069049	1069049	N/A	1036096

Heel Loops and Toe Loops

AT5043 Flip-Up Aluminum

Footplate Size	Heel Loop Single #	Heel Loop Pair #	Heel Loop w/ Ankle Strap Single # - Right	Heel Loop w/ Ankle Strap Single # - Left	Heel Loop w/ Ankle Strap Pair #	Attaching Hardware Pair #
Small 10"	1018269	1036099	1036097	1036097	1036102	1036096
Medium 12"	1018270	1036100	1027182	1027182	1036103	1036096

Toe Loops

Toe Loop Single #	Toe Loop Pair #	Attaching Hardware Pair #
04572X025	1037087	1037089

Heel and Toe Loop Attaching Hardware Kits

1035931	1036096	1037089
Kit Includes:	Kit Includes:	Kit Includes:
1021421 Screw, Pan Head (1/4-20 x 2-1/4")	1026115 Screw, Pan Head (#10-32 x 5/16")	1029157 Screw, Pan Head (#10-32 x 7/8")
1006477 Spacer (1/4 x 11/32 x 1-3/4")	1028516 Washer (3/16 x 7/16 x 1/16")	1025707 Washer (1/4 x 3/4 x 3/32")
1025195 Locknut (1/4-20)		1025735 Locknut (#10-32)

Miscellaneous Accessories

Part Number	Description	Package Quantity
1058884	Anti-Tipper with Seat to Floor 16-1/2" or Lower	1
1050641	Anti-Tipper with Seat to Floor 16-3/4" or Higher	2
1109322	Back Pack -Small (12-15" Wide) 11" W x 13" H x 4" D	1
1109323	Back Pack -Large (16-20" Wide) 14" W x 12" H x 4" D	1
1027644	Calf Strap, 12-15" Wide Chairs (26" Long)	1
1032243	Calf Strap, 16-20" Wide Chairs (36" Long)	1
1028401	Caster Swivel Locks Fixed Front End	2
1026709	Caster Swivel Locks Swingaway Front End	2
1068210	Clamp with Hardware (3/4 to 1")	1
1034204	Crutch/Cane Carrier	1
1026714	Front Anti-Tipper (Tubular Footplates Only)	1
1032215	H-Strap, 12-15" Wide Chairs	1
1032216	H-Strap, 16-20" Wide Chairs	1
1026987	Impact Guard, 8" Long	1
1026846	Impact Guard, 12" Long	1
1030980	Positioning Strap Hook and Loop	1
1004310	Positioning Strap Auto Style	1
1109324	Seat Pouch 8-1/2" W x 7" H x 4" D	1
1032146	Spoke Guard 20" Spoke/Composite Wheels	1
1032147	Spoke Guard, 22" Spoke/Composite Wheels	1
1028442	Spoke Guard 24" Composite Wheels	1
1028441	Spoke Guard 24" Spoke Wheels	1
40176X010	Tire Pump	1
1038599	Wheel Lock Extensions (1 Pair)	2

Invacare Corporation

www.invacare.com



Yes, you can.™

One Invacare Way
Elyria, Oh USA
44036-2125
800-333-6900

Technical Support
800-832-4707
Customer Service
800-333-6900

Customer Service
800-333-6900

©2007 Invacare Corporation. Elyria, Ohio.
Invacare, Yes, you can., Allegro, and the
Medallion Design are registered trademarks
of Invacare Corporation. KIK is a registered
trademark of KIK Technology, Inc. (Revised
11/17/07)

Form No. 99-208